

# HandEngineering

Manufacturing&Development

## The Best Excavator Attachment Fitting Guide

Whatever excavator you may have, it's efficiency and speed of operation will largely depend on the actual attachment you use.

Your excavator is only nearly as good as the attachments you have on them.  
Don't use cheap imitations you may damage your machine and you will not be efficient.

Hand Engineering has spent time in designing and manufacturing the 'right' attachment for you.

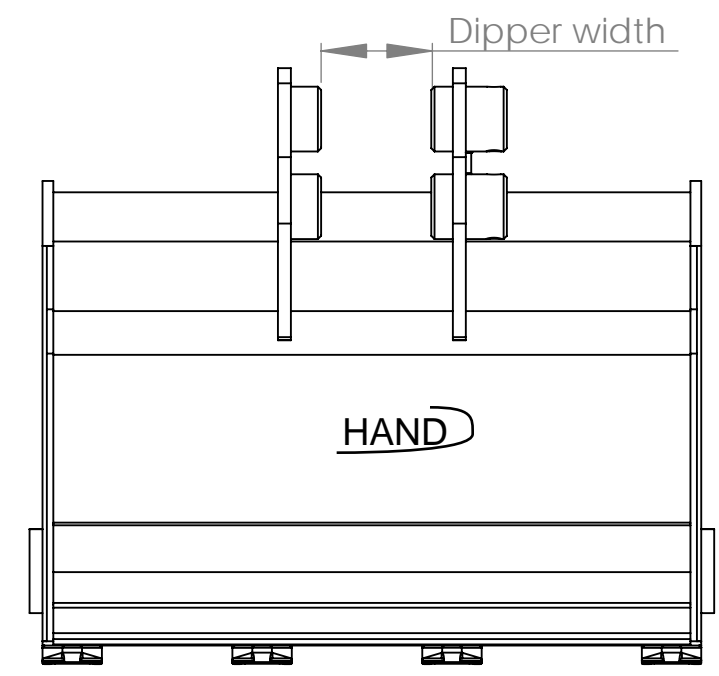
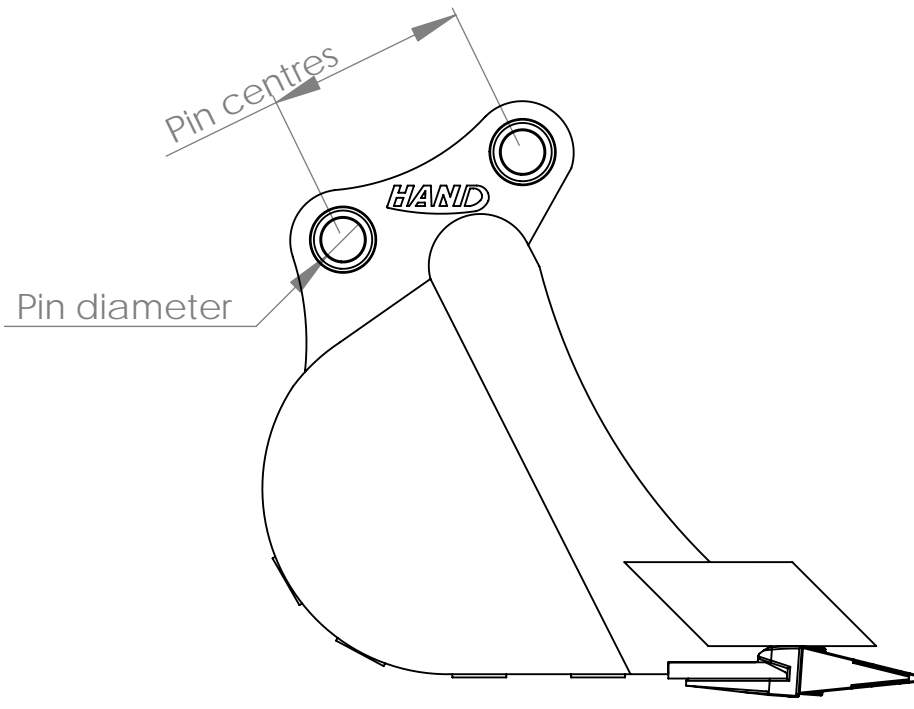
Having the 'right' attachment is cost effective and maximises performance and potential of the operator.

For safety, efficiency and wear prevention ensure you have a properly fitting attachment.

Hand Engineering has a Manufacturer Specification Database which has hundreds of models listed with all their relevant measurements. However some models may differ due to a variety of reasons - imported models, older models etc.

If you are unsure of the machine model specifications then please complete the following fitting guide and fax/email to us.  
We will be happy to assist you.

**Hand Engineering Ltd., Drumone, Oldcastle, Co. Meath, Ireland**  
**Tel: 00 353 44 9666504 Fax: 00 353 44 9666919**  
**email@handeng@eircom.net <http://www.handengineering.com>**



Machine Make	<u>(e.g Hitachi)</u>
Machine Model	<u>(e.g. EX60-3)</u>
Machine Tonnage	_____ tonnes
Pin Centre	_____ mm
Pin Diameter	_____ mm
Dipper Width	_____ mm



Note: If you are still unsure as how to best measure the machine please contact us and we will make every effort to help you.

Hand Engineering have measurements for most makes\models. However we do recommend that customers check their machines as some imports or models may differ from standard models.

PROPRIETARY AND CONFIDENTIAL  
THE INFORMATION CONTAINED IN THIS DRAWING IS THE SOLE PROPERTY OF HAND ENGINEERING LTD. ANY REPRODUCTION IN PART OR AS A WHOLE WITHOUT THE WRITTEN PERMISSION OF HAND ENGINEERING LTD IS PROHIBITED.

HAND ENGINEERING LTD		
TITLE: <b>HandEngineering Machine Fit</b>		
SIZE <b>B</b>	DWG. NO.	REV
SCALE: 1:7	WEIGHT:	SHEET 1 OF 1

8 7 6 5 4 3 2 1



HAND ENGINEERING LTD

TITLE:  
Quick hitch and bucket spec.

PROPRIETARY AND CONFIDENTIAL  
 THE INFORMATION CONTAINED IN THIS DRAWING IS THE SOLE PROPERTY OF HAND ENGINEERING LTD. ANY REPRODUCTION IN PART OR AS A WHOLE WITHOUT THE WRITTEN PERMISSION OF HAND ENGINEERING LTD IS PROHIBITED.

SIZE <b>B</b>	DWG. NO.	REV
SCALE: 1:7	WEIGHT:	SHEET 1 OF 1

8 7 6 3 5 2 4 1



Please note if your excavator is not found in list below, or differs from list, please measure Pin Diameter, Dipper Width, Pin Centre and Pin Length and submit with order. Only models below 14 tonne are listed for the purpose of this booklet.

**Any information found in this booklet is the sole property of Hand Engineering Ltd., any reproduction of any kind is prohibited without the written consent of Hand Engineering Ltd. Tel: 00 353 44 9666504**

## Hand Engineering's Excavator Specification Guide for models <14 tonne

### Manufacturer Name Airman

Manufacturer Name Airman

Tonnage Group	Specification Name	Description \Notes	Pin Centre
0-1	AX008	0-1 Tonne	90
0-1	AX16-2	0-1 Tonne	0
0-1	AX17-2	0-1 Tonne	0

# Hand Engineering



Please note if your excavator is not found in list below, or differs from list, please measure Pin Diameter, Dipper Width, Pin Centre and Pin Length and submit with order. Only models below 14 tonne are listed for the purpose of this booklet.

**Any information found in this booklet is the sole property of Hand Engineering Ltd., any reproduction of any kind is prohibited without the written consent of Hand Engineering Ltd. Tel: 00 353 44 9666504**

1-2	AX1.00	1-2 tonne	101
1-2	AX15	1-2 tonne	109
2-3	AX22	2-3 tonne	185
2-3	AX22-U	2-3 tonne	185
2-3	AX25	2-3 tonne	185

## Manufacturer Name Airman

2-3	AX29U	2-3 tonne	185
2-3	AX30-2	2-3 tonne	185
3-4	AX30	3-4 tonne	185
3-4	AX35-2	3-4 tonne	185
4-5	AX40	4-5 tonne	0
4-5	AX45-2	4-5 tonne	0
5-6	AX50	5-6 tonne	230

# Hand Engineering



Please note if your excavator is not found in list below, or differs from list, please measure Pin Diameter, Dipper Width, Pin Centre and Pin Length and submit with order. Only models below 14 tonne are listed for the purpose of this booklet.

**Any information found in this booklet is the sole property of Hand Engineering Ltd., any reproduction of any kind is prohibited without the written consent of Hand Engineering Ltd. Tel: 00 353 44 9666504**

**Manufacturer Name BOBCAT**

Tonnage Group	Specification Name	Description\Notes	Pin Centre
0-1	316	0-1 Tonne	100
0-1	B08/3	0-1 Tonne	95
0-1	X119	0-1 Tonne	0
0-1	X120	0-1 Tonne	0
0-1	X220	0-1 Tonne	0
0-1	X320	0-1 Tonne	0
0-1	X322	0-1 Tonne	0
0-1	X323J	0-1 Tonne	0

**Manufacturer Name BOBCAT**

1-2	301.5	1-2 tonne	0
2-3	X225	2-3 tonne	0

# Hand Engineering



Please note if your excavator is not found in list below, or differs from list, please measure Pin Diameter, Dipper Width, Pin Centre and Pin Length and submit with order. Only models below 14 tonne are listed for the purpose of this booklet.

**Any information found in this booklet is the sole property of Hand Engineering Ltd., any reproduction of any kind is prohibited without the written consent of Hand Engineering Ltd. Tel: 00 353 44 9666504**

2-3	X231	2-3 tonne	0
2-3	X325	2-3 tonne	0
2-3	X328	2-3 tonne	0
2-3	X328	2-3 tonne	0
2-3	X331	2-3 tonne	0
3-4	331	3-4 tonne	200
3-4	BC3	3-4 tonne	200
3-4	X335	3-4 tonne	0
3-4	X337	3-4 tonne	0
4-5	337	4-5 tonne	220
4-5	341	4-5 tonne	240

**Manufacturer Name** CASE

Tonnage Group Specification Description\Notes  
Name

Pin Centre

# Hand Engineering



Please note if your excavator is not found in list below, or differs from list, please measure Pin Diameter, Dipper Width, Pin Centre and Pin Length and submit with order. Only models below 14 tonne are listed for the purpose of this booklet.

**Any information found in this booklet is the sole property of Hand Engineering Ltd., any reproduction of any kind is prohibited without the written consent of Hand Engineering Ltd. Tel: 00 353 44 9666504**

0-1	C15	0-1 Tonne	0
0-1	C16	0-1 Tonne	0
<b>Manufacturer Name</b>	<b>CASE</b>		
0-1	CK13	0-1 Tonne	0
0-1	CK15	0-1 Tonne	0
0-1	CK16	0-1 Tonne	0
0-1	CX14	0-1 Tonne	0
0-1	CX15	0-1 Tonne	0
0-1	CX16B	0-1 Tonne	0
0-1	E17	0-1 Tonne	0
10-11	9010B	10-11 tonne	385
11-13	9013	11-13 tonne	385
1-2	Case15	1-2 tonne	90
1-2	CX14	1-2 tonne	131



# Hand Engineering



Please note if your excavator is not found in list below, or differs from list, please measure Pin Diameter, Dipper Width, Pin Centre and Pin Length and submit with order. Only models below 14 tonne are listed for the purpose of this booklet.

**Any information found in this booklet is the sole property of Hand Engineering Ltd., any reproduction of any kind is prohibited without the written consent of Hand Engineering Ltd. Tel: 00 353 44 9666504**

13-15	CX130	13-15 tonne	385
2-3	C23	2-3 tonne	0
2-3	C28	2-3 tonne	0
2-3	C30	2-3 tonne	0
2-3	C31	2-3 tonne	0
2-3	CK25	2-3 tonne	0

## Manufacturer Name CASE

2-3	CK28	2-3 tonne	0
2-3	CX25	2-3 tonne	200
2-3	CX27B	2-3 tonne	180
2-3	CX30	2-3 tonne	0
2-3	CX31	2-3 tonne	0
3-4	C35	3-4 tonne	0

# Hand Engineering



Please note if your excavator is not found in list below, or differs from list, please measure Pin Diameter, Dipper Width, Pin Centre and Pin Length and submit with order. Only models below 14 tonne are listed for the purpose of this booklet.

**Any information found in this booklet is the sole property of Hand Engineering Ltd., any reproduction of any kind is prohibited without the written consent of Hand Engineering Ltd. Tel: 00 353 44 9666504**

## Manufacturer Name CASE

3-4	Case 35	3-4 tonne	0
3-4	Case2.8	3-4 tonne	180
3-4	Case31	3-4 tonne	180
3-4	CK32	3-4 tonne	0
3-4	CK38	3-4 tonne	0
3-4	CX31	3-4 tonne	213
3-4	CX31B	3-4 tonne	200
3-4	CX31B	3-4 tonne	0
3-4	CX35	3-4 tonne	0
3-4	CX36B	3-4 tonne	200
4-5	50	4-5 tonne	0
4-5	CK50	4-5 tonne	0
4-5	CX40	4-5 tonne	229

# Hand Engineering



Please note if your excavator is not found in list below, or differs from list, please measure Pin Diameter, Dipper Width, Pin Centre and Pin Length and submit with order. Only models below 14 tonne are listed for the purpose of this booklet.

**Any information found in this booklet is the sole property of Hand Engineering Ltd., any reproduction of any kind is prohibited without the written consent of Hand Engineering Ltd. Tel: 00 353 44 9666504**

## Manufacturer Name CASE

5-6	CK62	5-6 tonne	0
5-6	CX50	5-6 tonne	229
5-6	CX50	5-6 tonne	0
6-7	WX95	6-7 tonne	300
7-9	580	7-9 tonne	290
7-9	9007	7-9 tonne	300
7-9	9007B	7-9 tonne	300
7-9	CX75	7-9 tonne	300
7-9	CX75SR	7-9 tonne	300
7-9	CX80	7-9 tonne	0

# Hand Engineering



Please note if your excavator is not found in list below, or differs from list, please measure Pin Diameter, Dipper Width, Pin Centre and Pin Length and submit with order. Only models below 14 tonne are listed for the purpose of this booklet.

**Any information found in this booklet is the sole property of Hand Engineering Ltd., any reproduction of any kind is prohibited without the written consent of Hand Engineering Ltd.**

**Tel: 00 353 44 9666504**

**Manufacturer Name CAT**

Tonnage Group	Specification Name	Description\Notes	Pin Centre
10-11	312B	10-11 tonne	407.3
1-2	301.8	1-2 tonne	130
2-3	302.5	2-3 tonne	165
3-4	303.5	3-4 tonne	200
3-4	303CR	3-4 tonne	0
4-5	304	4-5 tonne	260
4-5	304.5	4-5 tonne	260
5-6	305	5-6 tonne	260
6-7	432	6-7 tonne	0
7-9	307	7-9 tonne	305
7-9	307	7-9 tonne	305
7-9	308	7-9 tonne	305

# Hand Engineering



Please note if your excavator is not found in list below, or differs from list, please measure Pin Diameter, Dipper Width, Pin Centre and Pin Length and submit with order. Only models below 14 tonne are listed for the purpose of this booklet.

**Any information found in this booklet is the sole property of Hand Engineering Ltd., any reproduction of any kind is prohibited without the written consent of Hand Engineering Ltd. Tel: 00 353 44 9666504**

## Manufacturer Name Caterpillar

Tonnage Group	Specification Name	Description\Notes	Pin Centre
0-1	301.5CR	0-1 Tonne	0
0-1	301.6	0-1 Tonne	0

## Manufacturer Name DAEWOO

Tonnage Group	Specification Name	Description\Notes	Pin Centre
0-1	015	0-1 Tonne	0
0-1	015Plus	0-1 Tonne	0
1-2	SO15	1-2 tonne	126
13-15	S130-3	13-15 tonne	420
13-15	S140-5	13-15 tonne	388
2-3	Solar 027	2-3 tonne	0
2-3	Solar 030	2-3 tonne	0

# Hand Engineering



Please note if your excavator is not found in list below, or differs from list, please measure Pin Diameter, Dipper Width, Pin Centre and Pin Length and submit with order. Only models below 14 tonne are listed for the purpose of this booklet.

**Any information found in this booklet is the sole property of Hand Engineering Ltd., any reproduction of any kind is prohibited without the written consent of Hand Engineering Ltd.**

**Tel: 00 353 44 9666504**

**Manufacturer Name DAEWOO**

Tonnage Group	Specification Name	Description\Notes	Pin Centre
3-4	S30	3-4 tonne	180
3-4	S35	3-4 tonne	200
3-4	SO35	3-4 tonne	0
3-4	SOLAR 035	3-4 tonne	0
4-5	55W-3	4-5 tonne	0
4-5	DH50	4-5 tonne	0
4-5	SOLAR 50	4-5 tonne	0
5-6	DX55W	5-6 tonne	257
5-6	S55	5-6 tonne	260
5-6	SOLAR 55	5-6 tonne	0
6-7	DX60	6-7 tonne	257

# Hand Engineering



Please note if your excavator is not found in list below, or differs from list, please measure Pin Diameter, Dipper Width, Pin Centre and Pin Length and submit with order. Only models below 14 tonne are listed for the purpose of this booklet.

**Any information found in this booklet is the sole property of Hand Engineering Ltd., any reproduction of any kind is prohibited without the written consent of Hand Engineering Ltd. Tel: 00 353 44 9666504**

## Manufacturer Name DAEWOO

7-9	S70-3	7-9 tonne	309
7-9	S75	7-9 tonne	291

## Manufacturer Name FERMEC

Tonnage Group	Specification Name	Description \Notes	Pin Centre
2-3	125	2-3 tonne	0
3-4	135	3-4 tonne	0

## Manufacturer Name FERMEX

Tonnage Group	Specification Name	Description \Notes	Pin Centre
7-9	FERM860	7-9 tonne	290

# Hand Engineering



Please note if your excavator is not found in list below, or differs from list, please measure Pin Diameter, Dipper Width, Pin Centre and Pin Length and submit with order. Only models below 14 tonne are listed for the purpose of this booklet.

**Any information found in this booklet is the sole property of Hand Engineering Ltd., any reproduction of any kind is prohibited without the written consent of Hand Engineering Ltd. Tel: 00 353 44 9666504**

## Manufacturer Name Fiat Kobelco

Tonnage Group	Specification Name	Description\Notes	Pin Centre
0-1	E9SR	0-1 Tonne	100

## Manufacturer Name HANNIX

Tonnage Group	Specification Name	Description\Notes	Pin Centre
0-1	H12	0-1 Tonne	0
0-1	H15	0-1 Tonne	0
0-1	H15A	0-1 Tonne	0
0-1	H15B Plus -2	0-1 Tonne	0
0-1	H15B-2	0-1 Tonne	0
0-1	H15B-PLUS	0-1 Tonne	0
0-1	N120	0-1 Tonne	0
0-1	N150	0-1 Tonne	0





Please note if your excavator is not found in list below, or differs from list, please measure Pin Diameter, Dipper Width, Pin Centre and Pin Length and submit with order. Only models below 14 tonne are listed for the purpose of this booklet.

**Any information found in this booklet is the sole property of Hand Engineering Ltd., any reproduction of any kind is prohibited without the written consent of Hand Engineering Ltd.**

**Tel: 00 353 44 9666504**

**Manufacturer Name HANNIX**

Tonnage Group	Specification Name	Description\Notes	Pin Centre
0-1	N150-2	0-1 Tonne	0
1-2	H15B	1-2 tonne	125
2-3	H26B	2-3 tonne	180
2-3	H27	2-3 tonne	0
3-4	H35A	3-4 tonne	0
3-4	H36B	3-4 tonne	0
3-4	H36B	3-4 tonne	200
3-4	H36C	3-4 tonne	0
5-6	H50B	5-6 tonne	305

# Hand Engineering



Please note if your excavator is not found in list below, or differs from list, please measure Pin Diameter, Dipper Width, Pin Centre and Pin Length and submit with order. Only models below 14 tonne are listed for the purpose of this booklet.

**Any information found in this booklet is the sole property of Hand Engineering Ltd., any reproduction of any kind is prohibited without the written consent of Hand Engineering Ltd. Tel: 00 353 44 9666504**

## Manufacturer Name HANNIX

7-9	H75	7-9 tonne	0
-----	-----	-----------	---

## Manufacturer Name Hitachi

Tonnage Group	Specification Name	Description\Notes	Pin Centre
0-1	EX16	0-1 Tonne	0
0-1	EX17	0-1 Tonne	0
10-11	490E	10-11 tonne	362
10-11	EX100	10-11 tonne	420
10-11	EX100-2	10-11 tonne	363
10-11	EX100-3	10-11 tonne	363
10-11	EX100-5	10-11 tonne	363



Please note if your excavator is not found in list below, or differs from list, please measure Pin Diameter, Dipper Width, Pin Centre and Pin Length and submit with order. Only models below 14 tonne are listed for the purpose of this booklet.

**Any information found in this booklet is the sole property of Hand Engineering Ltd., any reproduction of any kind is prohibited without the written consent of Hand Engineering Ltd.**

**Tel: 00 353 44 9666504**

**Manufacturer Name Hitachi**

Tonnage Group	Specification Name	Description\Notes	Pin Centre
11-13	110	11-13 tonne	362
11-13	110LC	11-13 tonne	362
11-13	120C	11-13 tonne	362
11-13	135 RTS	11-13 tonne	362
11-13	135C RTS	11-13 tonne	362
11-13	270 LONG	11-13 tonne	362
11-13	EX110-5	11-13 tonne	363
11-13	EX120	11-13 tonne	425
11-13	EX120	11-13 tonne	420
11-13	EX120-2	11-13 tonne	363
11-13	EX120-3	11-13 tonne	363
11-13	EX120-5	11-13 tonne	363



Please note if your excavator is not found in list below, or differs from list, please measure Pin Diameter, Dipper Width, Pin Centre and Pin Length and submit with order. Only models below 14 tonne are listed for the purpose of this booklet.

**Any information found in this booklet is the sole property of Hand Engineering Ltd., any reproduction of any kind is prohibited without the written consent of Hand Engineering Ltd.**

**Tel: 00 353 44 9666504**

**Manufacturer Name Hitachi**

Tonnage Group	Specification Name	Description\Notes	Pin Centre
11-13	EX125	11-13 tonne	472
11-13	ZX110	11-13 tonne	363
1-2	EX12	1-2 tonne	118
1-2	EX15	1-2 tonne	119
1-2	EX17B-2	1-2 tonne	118
1-2	EX20UR	1-2 tonne	0
13-15	EX130	13-15 tonne	420
13-15	EX135	13-15 tonne	363
13-15	FH130	13-15 tonne	420
13-15	FH130-3	13-15 tonne	363
13-15	ZX120	13-15 tonne	362
13-15	ZX120	13-15 tonne	363

# Hand Engineering



Please note if your excavator is not found in list below, or differs from list, please measure Pin Diameter, Dipper Width, Pin Centre and Pin Length and submit with order. Only models below 14 tonne are listed for the purpose of this booklet.

**Any information found in this booklet is the sole property of Hand Engineering Ltd., any reproduction of any kind is prohibited without the written consent of Hand Engineering Ltd. Tel: 00 353 44 9666504**

**Manufacturer Name Hitachi**

2-3	130	2-3 tonne	0
2-3	EX22	2-3 tonne	0
2-3	EX22-2	2-3 tonne	0
2-3	EX25	2-3 tonne	185
2-3	EX25	2-3 tonne	185
2-3	EX27	2-3 tonne	185
2-3	EX29U	2-3 tonne	0
2-3	EX30UR	2-3 tonne	0
2-3	U25	2-3 tonne	0
2-3	U29	2-3 tonne	200
2-3	ZX25	2-3 tonne	0
2-3	ZX25	2-3 tonne	0
2-3	ZX27	2-3 tonne	185

# Hand Engineering



Please note if your excavator is not found in list below, or differs from list, please measure Pin Diameter, Dipper Width, Pin Centre and Pin Length and submit with order. Only models below 14 tonne are listed for the purpose of this booklet.

**Any information found in this booklet is the sole property of Hand Engineering Ltd., any reproduction of any kind is prohibited without the written consent of Hand Engineering Ltd.**

**Tel: 00 353 44 9666504**

**Manufacturer Name Hitachi**

Tonnage Group	Specification Name	Description\Notes	Pin Centre
2-3	ZX27U	2-3 tonne	185
2-3	ZX30	2-3 tonne	0
2-3	ZX30U2	2-3 tonne	0
3-4	EX30	3-4 tonne	185
3-4	EX35	3-4 tonne	0
3-4	EX35	3-4 tonne	185
3-4	EX35-2	3-4 tonne	0
3-4	SX030/2	3-4 tonne	200
3-4	ZX30	3-4 tonne	185
3-4	ZX35	3-4 tonne	185
3-4	ZX35U	3-4 tonne	185
3-4	ZX36U	3-4 tonne	0



Please note if your excavator is not found in list below, or differs from list, please measure Pin Diameter, Dipper Width, Pin Centre and Pin Length and submit with order. Only models below 14 tonne are listed for the purpose of this booklet.

**Any information found in this booklet is the sole property of Hand Engineering Ltd., any reproduction of any kind is prohibited without the written consent of Hand Engineering Ltd. Tel: 00 353 44 9666504**

**Manufacturer Name Hitachi**

Tonnage Group	Specification Name	Description\Notes	Pin Centre
4-5	EX40	4-5 tonne	230
4-5	EX40-2	4-5 tonne	0
4-5	EX45-2	4-5 tonne	0
4-5	EX45-2	4-5 tonne	230
4-5	ZX40	4-5 tonne	0
4-5	ZX404	4-5 tonne	0
4-5	ZX40U2	4-5 tonne	0
5-6	EX50	5-6 tonne	0
5-6	EX504	5-6 tonne	0
5-6	ZX50	5-6 tonne	230
5-6	ZX50U	5-6 tonne	0
5-6	ZX50U2	5-6 tonne	0



Please note if your excavator is not found in list below, or differs from list, please measure Pin Diameter, Dipper Width, Pin Centre and Pin Length and submit with order. Only models below 14 tonne are listed for the purpose of this booklet.

**Any information found in this booklet is the sole property of Hand Engineering Ltd., any reproduction of any kind is prohibited without the written consent of Hand Engineering Ltd. Tel: 00 353 44 9666504**

**Manufacturer Name Hitachi**

Tonnage Group	Specification Name	Description\Notes	Pin Centre
6-7	EX60/1	6-7 tonne	310
6-7	EX60/3	6-7 tonne	310
6-7	EX60-3	6-7 tonne	310
6-7	EX60-5	6-7 tonne	310
7-9	EX75	7-9 tonne	310
7-9	EX75	7-9 tonne	310
7-9	EX75UR-7	7-9 tonne	310
7-9	EX80-5	7-9 tonne	310
7-9	FH80	7-9 tonne	310
7-9	FH95	7-9 tonne	310
7-9	ZX70	7-9 tonne	310
7-9	ZX75	7-9 tonne	310



# Hand Engineering



Please note if your excavator is not found in list below, or differs from list, please measure Pin Diameter, Dipper Width, Pin Centre and Pin Length and submit with order. Only models below 14 tonne are listed for the purpose of this booklet.

**Any information found in this booklet is the sole property of Hand Engineering Ltd., any reproduction of any kind is prohibited without the written consent of Hand Engineering Ltd. Tel: 00 353 44 9666504**

## Manufacturer Name Hitachi

Tonnage Group	Specification Name	Description\Notes	Pin Centre
7-9	ZX80	7-9 tonne	310
7-9	ZX80B	7-9 tonne	310
7-9	ZX85	7-9 tonne	310

## Manufacturer Name HYDROMEC

Tonnage Group	Specification Name	Description\Notes	Pin Centre
7-9	HMK102B	7-9 tonne	330

## Manufacturer Name HYUNDAI

Tonnage Group	Specification Name	Description\Notes	Pin Centre
13-15	R140-7	13-15 tonne	390
5-6	55	5-6 tonne	285

# Hand Engineering



Please note if your excavator is not found in list below, or differs from list, please measure Pin Diameter, Dipper Width, Pin Centre and Pin Length and submit with order. Only models below 14 tonne are listed for the purpose of this booklet.

**Any information found in this booklet is the sole property of Hand Engineering Ltd., any reproduction of any kind is prohibited without the written consent of Hand Engineering Ltd. Tel: 00 353 44 9666504**

**Manufacturer Name HYUNDAI**

Tonnage Group	Specification Name	Description\Notes	Pin Centre
5-6	R55-3	5-6 tonne	230
5-6	R55-7	5-6 tonne	285
5-6	R75-7	5-6 tonne	288
7-9	R80-7	7-9 tonne	276

**Manufacturer Name IHI**

Tonnage Group	Specification Name	Description\Notes	Pin Centre
2-3	25	2-3 tonne	0
2-3	28	2-3 tonne	0
2-3	30	2-3 tonne	0
2-3	30	2-3 tonne	0
3-4	IHI-3	3-4 tonne	192



Please note if your excavator is not found in list below, or differs from list, please measure Pin Diameter, Dipper Width, Pin Centre and Pin Length and submit with order. Only models below 14 tonne are listed for the purpose of this booklet.

**Any information found in this booklet is the sole property of Hand Engineering Ltd., any reproduction of any kind is prohibited without the written consent of Hand Engineering Ltd. Tel: 00 353 44 9666504**

**Manufacturer Name IHI**

Tonnage Group	Specification Name	Description\Notes	Pin Centre
5-6	IHI05	5-6 tonne	235

**Manufacturer Name JCB**

Tonnage Group	Specification Name	Description\Notes	Pin Centre
0-1	801.4	0-1 Tonne	0
0-1	801.5	0-1 Tonne	0
0-1	801.6	0-1 Tonne	0
0-1	801.7	0-1 Tonne	0
0-1	801.8	0-1 Tonne	0



Please note if your excavator is not found in list below, or differs from list, please measure Pin Diameter, Dipper Width, Pin Centre and Pin Length and submit with order. Only models below 14 tonne are listed for the purpose of this booklet.

**Any information found in this booklet is the sole property of Hand Engineering Ltd., any reproduction of any kind is prohibited without the written consent of Hand Engineering Ltd. Tel: 00 353 44 9666504**

Manufacturer Name	JCB		
Tonnage Group	Specification Name	Description\Notes	Pin Centre
0-1	8014	0-1 Tonne	0
0-1	8016	0-1 Tonne	0
0-1	8018	0-1 Tonne	0
11-13	JS110	11-13 tonne	385
13-15	JS130	13-15 tonne	385
13-15	JS145	13-15 tonne	385
13-15	JZ140	13-15 tonne	385
2-3	801	2-3 tonne	132
2-3	8015	2-3 tonne	132
2-3	802	2-3 tonne	0
2-3	802	2-3 tonne	0
2-3	802.4	2-3 tonne	0

# Hand Engineering



Please note if your excavator is not found in list below, or differs from list, please measure Pin Diameter, Dipper Width, Pin Centre and Pin Length and submit with order. Only models below 14 tonne are listed for the purpose of this booklet.

**Any information found in this booklet is the sole property of Hand Engineering Ltd., any reproduction of any kind is prohibited without the written consent of Hand Engineering Ltd. Tel: 00 353 44 9666504**

**Manufacturer Name** JCB

Tonnage Group	Specification Name	Description\Notes	Pin Centre
2-3	8027 ZTS	2-3 tonne	0
2-3	803	2-3 tonne	0
3-4	2CX	3-4 tonne	0
3-4	803	3-4 tonne	0
3-4	JCB	3-4 tonne	130
6-7	3CX	6-7 tonne	343
6-7	JS60	6-7 tonne	300
6-7	JS70	6-7 tonne	300
7-9	JZ70	7-9 tonne	300

# Hand Engineering



Please note if your excavator is not found in list below, or differs from list, please measure Pin Diameter, Dipper Width, Pin Centre and Pin Length and submit with order. Only models below 14 tonne are listed for the purpose of this booklet.

**Any information found in this booklet is the sole property of Hand Engineering Ltd., any reproduction of any kind is prohibited without the written consent of Hand Engineering Ltd. Tel: 00 353 44 9666504**

**Manufacturer Name JOHN DEERE**

Tonnage Group	Specification Name	Description\Notes	Pin Centre
2-3	27	2-3 tonne	185
3-4	35	3-4 tonne	185
3-4	35D	3-4 tonne	185
3-4	35ZTS	3-4 tonne	185
5-6	50C	5-6 tonne	230
5-6	50C ZTS	5-6 tonne	230
5-6	50D	5-6 tonne	230
5-6	50D ZTS	5-6 tonne	230
7-9	190E	7-9 tonne	310
7-9	70D	7-9 tonne	310
7-9	75C	7-9 tonne	310

# Hand Engineering



Please note if your excavator is not found in list below, or differs from list, please measure Pin Diameter, Dipper Width, Pin Centre and Pin Length and submit with order. Only models below 14 tonne are listed for the purpose of this booklet.

**Any information found in this booklet is the sole property of Hand Engineering Ltd., any reproduction of any kind is prohibited without the written consent of Hand Engineering Ltd. Tel: 00 353 44 9666504**

## Manufacturer Name JOHN DEERE

Tonnage Group	Specification Name	Description\Notes	Pin Centre
7-9	80	7-9 tonne	310
7-9	80C	7-9 tonne	310
7-9	ZTS	7-9 tonne	310

## Manufacturer Name KOBELCO

Tonnage Group	Specification Name	Description\Notes	Pin Centre
0-1	SK009	0-1 Tonne	100
0-1	SK013	0-1 Tonne	0
0-1	SK014	0-1 Tonne	0
0-1	SK015	0-1 Tonne	0
1-2	SK13-2	1-2 tonne	131
13-15	SK130-4	13-15 tonne	420



Please note if your excavator is not found in list below, or differs from list, please measure Pin Diameter, Dipper Width, Pin Centre and Pin Length and submit with order. Only models below 14 tonne are listed for the purpose of this booklet.

**Any information found in this booklet is the sole property of Hand Engineering Ltd., any reproduction of any kind is prohibited without the written consent of Hand Engineering Ltd. Tel: 00 353 44 9666504**

**Manufacturer Name KOBELCO**

Tonnage Group	Specification Name	Description\Notes	Pin Centre
13-15	SK135SR	13-15 tonne	420
13-15	SK13SR-2	13-15 tonne	131
2-3	SK025	2-3 tonne	180
2-3	SK030	2-3 tonne	180
2-3	SK25SR-2	2-3 tonne	200
2-3	SK27-3	2-3 tonne	180
2-3	SK27SR-3	2-3 tonne	180
3-4	KO30	3-4 tonne	0
3-4	SK3.2	3-4 tonne	192





Please note if your excavator is not found in list below, or differs from list, please measure Pin Diameter, Dipper Width, Pin Centre and Pin Length and submit with order. Only models below 14 tonne are listed for the purpose of this booklet.

**Any information found in this booklet is the sole property of Hand Engineering Ltd., any reproduction of any kind is prohibited without the written consent of Hand Engineering Ltd.**

**Tel: 00 353 44 9666504**

**Manufacturer Name KOBELCO**

Tonnage Group	Specification Name	Description\Notes	Pin Centre
3-4	SK30SR-2	3-4 tonne	213
3-4	SK30SR-3	3-4 tonne	200
3-4	SK35-2	3-4 tonne	213
3-4	SK35-3	3-4 tonne	200
3-4	SK35R-2	3-4 tonne	213
3-4	SK35SR-3	3-4 tonne	200
5-6	E50-2	5-6 tonne	0
5-6	SK40SR	5-6 tonne	0
5-6	SK50	5-6 tonne	229
5-6	SK50-2	5-6 tonne	229
5-6	SK50-3	5-6 tonne	229



Please note if your excavator is not found in list below, or differs from list, please measure Pin Diameter, Dipper Width, Pin Centre and Pin Length and submit with order. Only models below 14 tonne are listed for the purpose of this booklet.

**Any information found in this booklet is the sole property of Hand Engineering Ltd., any reproduction of any kind is prohibited without the written consent of Hand Engineering Ltd.**

**Tel: 00 353 44 9666504**

Manufacturer Name **KOBELCO**

Tonnage Group	Specification Name	Description \Notes	Pin Centre
5-6	SK50SR-2	5-6 tonne	229
5-6	SK50SR-3	5-6 tonne	229
6-7	sk60	6-7 tonne	290
6-7	SK60-3	6-7 tonne	290
6-7	SK60-4	6-7 tonne	301
6-7	SK60SR	6-7 tonne	301
7-9	SK70-2	7-9 tonne	290
7-9	SK70-4	7-9 tonne	301
7-9	SK70SR	7-9 tonne	301
7-9	SK75	7-9 tonne	301
7-9	SK75-3	7-9 tonne	290
7-9	SK80	7-9 tonne	301



Please note if your excavator is not found in list below, or differs from list, please measure Pin Diameter, Dipper Width, Pin Centre and Pin Length and submit with order. Only models below 14 tonne are listed for the purpose of this booklet.

**Any information found in this booklet is the sole property of Hand Engineering Ltd., any reproduction of any kind is prohibited without the written consent of Hand Engineering Ltd. Tel: 00 353 44 9666504**

**Manufacturer Name KOMATSU**

Tonnage Group	Specification Name	Description\Notes	Pin Centre
0-1	PC03	0-1 Tonne	90
0-1	PC05	0-1 Tonne	0
0-1	PC05/7	0-1 Tonne	90
0-1	PC05-6	0-1 Tonne	124
0-1	PC05-7	0-1 Tonne	124
0-1	PC07	0-1 Tonne	0
0-1	PC07-2	0-1 Tonne	124
0-1	PC09	0-1 Tonne	90
0-1	PC09-1	0-1 Tonne	100



Please note if your excavator is not found in list below, or differs from list, please measure Pin Diameter, Dipper Width, Pin Centre and Pin Length and submit with order. Only models below 14 tonne are listed for the purpose of this booklet.

**Any information found in this booklet is the sole property of Hand Engineering Ltd., any reproduction of any kind is prohibited without the written consent of Hand Engineering Ltd.**

**Tel: 00 353 44 9666504**

Manufacturer Name KOMATSU

Tonnage Group	Specification Name	Description\Notes	Pin Centre
0-1	PC12R-	0-1 Tonne	0
10-11	PC100-3	10-11 tonne	375
10-11	PC100-5	10-11 tonne	375
10-11	PC100-6	10-11 tonne	375
11-13	PC110	11-13 tonne	0
11-13	PC120-3	11-13 tonne	375
11-13	PC120-5	11-13 tonne	375
11-13	PC120-6	11-13 tonne	375
11-13	PC120-7	11-13 tonne	375
11-13	PC128US-1	11-13 tonne	375
11-13	PC128UU-1	11-13 tonne	375



Please note if your excavator is not found in list below, or differs from list, please measure Pin Diameter, Dipper Width, Pin Centre and Pin Length and submit with order. Only models below 14 tonne are listed for the purpose of this booklet.

**Any information found in this booklet is the sole property of Hand Engineering Ltd., any reproduction of any kind is prohibited without the written consent of Hand Engineering Ltd. Tel: 00 353 44 9666504**

Manufacturer Name KOMATSU

Tonnage Group	Specification Name	Description\Notes	Pin Centre
11-13	PC128UU-2	11-13 tonne	375
1-2	PC10-5	1-2 tonne	0
1-2	PC10-6	1-2 tonne	0
1-2	PC10-7	1-2 tonne	200
1-2	PC12	1-2 tonne	124
1-2	PC12R	1-2 tonne	124

Manufacturer Name KOMATSU

Tonnage Group	Specification Name	Description\Notes	Pin Centre
1-2	PC12R-8	1-2 tonne	124
1-2	PC14	1-2 tonne	0
1-2	PC15	1-2 tonne	124

# Hand Engineering



Please note if your excavator is not found in list below, or differs from list, please measure Pin Diameter, Dipper Width, Pin Centre and Pin Length and submit with order. Only models below 14 tonne are listed for the purpose of this booklet.

**Any information found in this booklet is the sole property of Hand Engineering Ltd., any reproduction of any kind is prohibited without the written consent of Hand Engineering Ltd. Tel: 00 353 44 9666504**

1-2	PC15R-8	1-2 tonne	124
1-2	PC18	1-2 tonne	124
1-2	PC18MR-2	1-2 tonne	124
13-15	PC130	13-15 tonne	375
13-15	PC130-5	13-15 tonne	375
13-15	PC130-6	13-15 tonne	375
13-15	PC130-7	13-15 tonne	375
13-15	PC138	13-15 tonne	375
13-15	PC138US-2	13-15 tonne	375
2-3	FAI222	2-3 tonne	200
2-3	PC20 MRX	2-3 tonne	0
2-3	PC20-6	2-3 tonne	0
2-3	PC20-7	2-3 tonne	0
2-3	PC20-7	2-3 tonne	200



Please note if your excavator is not found in list below, or differs from list, please measure Pin Diameter, Dipper Width, Pin Centre and Pin Length and submit with order. Only models below 14 tonne are listed for the purpose of this booklet.

**Any information found in this booklet is the sole property of Hand Engineering Ltd., any reproduction of any kind is prohibited without the written consent of Hand Engineering Ltd. Tel: 00 353 44 9666504**

Manufacturer Name KOMATSU			
Tonnage Group	Specification Name	Description \Notes	Pin Centre
2-3	PC20R	2-3 tonne	198
2-3	PC20R-8	2-3 tonne	198
2-3	PC20R-8	2-3 tonne	0
2-3	PC25	2-3 tonne	200
2-3	PC27	2-3 tonne	198
2-3	PC27-8	2-3 tonne	200
2-3	PC27MRX	2-3 tonne	200
2-3	PC27R	2-3 tonne	198
2-3	PC27R08	2-3 tonne	0
2-3	PC27R-8	2-3 tonne	200
3-4	PC30	3-4 tonne	194

# Hand Engineering



Please note if your excavator is not found in list below, or differs from list, please measure Pin Diameter, Dipper Width, Pin Centre and Pin Length and submit with order. Only models below 14 tonne are listed for the purpose of this booklet.

**Any information found in this booklet is the sole property of Hand Engineering Ltd., any reproduction of any kind is prohibited without the written consent of Hand Engineering Ltd. Tel: 00 353 44 9666504**

3-4	PC30-6	3-4 tonne	180
3-4	PC30-7	3-4 tonne	194.6
3-4	PC335MRX	3-4 tonne	194.6

## Manufacturer Name KOMATSU

Tonnage Group	Specification Name	Description\Notes	Pin Centre
3-4	PC35	3-4 tonne	194.6
3-4	PC35-8	3-4 tonne	194.6
3-4	PC35MR2	3-4 tonne	194.6
3-4	PC35R-8	3-4 tonne	194.6
4-5	PC38UU	4-5 tonne	194.6
4-5	PC40	4-5 tonne	243
4-5	PC40-1	4-5 tonne	243
4-5	PC40-5	4-5 tonne	243



# Hand Engineering



Please note if your excavator is not found in list below, or differs from list, please measure Pin Diameter, Dipper Width, Pin Centre and Pin Length and submit with order. Only models below 14 tonne are listed for the purpose of this booklet.

**Any information found in this booklet is the sole property of Hand Engineering Ltd., any reproduction of any kind is prohibited without the written consent of Hand Engineering Ltd. Tel: 00 353 44 9666504**

4-5	PC40-6	4-5 tonne	0
4-5	PC40-7	4-5 tonne	230
4-5	PC40-7E	4-5 tonne	230
4-5	PC40MR-1	4-5 tonne	243
4-5	PC40MR-2	4-5 tonne	230
4-5	PC40R-8	4-5 tonne	230
4-5	PC45-1	4-5 tonne	0

Manufacturer Name KOMATSU

Tonnage Group	Specification Name	Description \Notes	Pin Centre
4-5	PC45R	4-5 tonne	241
4-5	PC45R-8	4-5 tonne	230
4-5	PC45R-8	4-5 tonne	0
5-6	PC50	5-6 tonne	0

# Hand Engineering



Please note if your excavator is not found in list below, or differs from list, please measure Pin Diameter, Dipper Width, Pin Centre and Pin Length and submit with order. Only models below 14 tonne are listed for the purpose of this booklet.

**Any information found in this booklet is the sole property of Hand Engineering Ltd., any reproduction of any kind is prohibited without the written consent of Hand Engineering Ltd. Tel: 00 353 44 9666504**

5-6	PC50/2	5-6 tonne	241
5-6	PC50-2	5-6 tonne	230
5-6	PC50MR-2	5-6 tonne	230
5-6	PC50UU-1	5-6 tonne	270
5-6	PC50UU-2	5-6 tonne	259
5-6	PC50UU-3	5-6 tonne	259
6-7	PC60-5	6-7 tonne	312
6-7	PC60-7	6-7 tonne	312
6-7	PC60-7B	6-7 tonne	312
6-7	PW60-5	6-7 tonne	312
6-7	WB93R/5	6-7 tonne	300



Please note if your excavator is not found in list below, or differs from list, please measure Pin Diameter, Dipper Width, Pin Centre and Pin Length and submit with order. Only models below 14 tonne are listed for the purpose of this booklet.

**Any information found in this booklet is the sole property of Hand Engineering Ltd., any reproduction of any kind is prohibited without the written consent of Hand Engineering Ltd. Tel: 00 353 44 9666504**

Manufacturer Name KOMATSU

Tonnage Group	Specification Name	Description\Notes	Pin Centre
7-9	PC70-7	7-9 tonne	312
7-9	PC75	7-9 tonne	300
7-9	PC75/2	7-9 tonne	290
7-9	PC750-6	7-9 tonne	756
7-9	pc750-7	7-9 tonne	756
7-9	PC75R-2	7-9 tonne	300
7-9	PC75U-2	7-9 tonne	312
7-9	PC75UU-1	7-9 tonne	312
7-9	PC78	7-9 tonne	290
7-9	PC78/6	7-9 tonne	290
7-9	PC78-6	7-9 tonne	312
7-9	PC78MR-6	7-9 tonne	312

# Hand Engineering



Please note if your excavator is not found in list below, or differs from list, please measure Pin Diameter, Dipper Width, Pin Centre and Pin Length and submit with order. Only models below 14 tonne are listed for the purpose of this booklet.

**Any information found in this booklet is the sole property of Hand Engineering Ltd., any reproduction of any kind is prohibited without the written consent of Hand Engineering Ltd. Tel: 00 353 44 9666504**

7-9	PC78US-6	7-9 tonne	312
7-9	PC80-3	7-9 tonne	312
7-9	PC88	7-9 tonne	312

## Manufacturer Name KOMATSU

Tonnage Group	Specification Name	Description\Notes	Pin Centre
7-9	PC88/5	7-9 tonne	312
7-9	PC88/6	7-9 tonne	312
7-9	PC90	7-9 tonne	312
7-9	PC95	7-9 tonne	365
7-9	PC95-1	7-9 tonne	312
7-9	PC95R-2	7-9 tonne	290
7-9	PW110	7-9 tonne	365
7-9	PW98	7-9 tonne	365



Please note if your excavator is not found in list below, or differs from list, please measure Pin Diameter, Dipper Width, Pin Centre and Pin Length and submit with order. Only models below 14 tonne are listed for the purpose of this booklet.

**Any information found in this booklet is the sole property of Hand Engineering Ltd., any reproduction of any kind is prohibited without the written consent of Hand Engineering Ltd. Tel: 00 353 44 9666504**

7-9                      WB93/2                      7-9 tonne                      295

Manufacturer Name KUBOTA

Manufacturer Name KUBOTA

Tonnage Group	Specification Name	Description\Notes	Pin Centre
0-1	K008	0-1 Tonne	85
0-1	KH31	0-1 Tonne	0

Manufacturer Name KUBOTA

Tonnage Group	Specification Name	Description\Notes	Pin Centre
0-1	KH35	0-1 Tonne	0
0-1	KH36	0-1 Tonne	0
0-1	KH41	0-1 Tonne	0
0-1	KX36	0-1 Tonne	0

# Hand Engineering



Please note if your excavator is not found in list below, or differs from list, please measure Pin Diameter, Dipper Width, Pin Centre and Pin Length and submit with order. Only models below 14 tonne are listed for the purpose of this booklet.

**Any information found in this booklet is the sole property of Hand Engineering Ltd., any reproduction of any kind is prohibited without the written consent of Hand Engineering Ltd. Tel: 00 353 44 9666504**

0-1	KX36-2	0-1 Tonne	0
0-1	KX36-3	0-1 Tonne	0
0-1	KX36-3GL	0-1 Tonne	0
0-1	KX41-2	0-1 Tonne	0
0-1	KX41-2s	0-1 Tonne	90
0-1	KX41-2SC	0-1 Tonne	0
0-1	KX41-2SV	0-1 Tonne	0
0-1	KX41-2V	0-1 Tonne	0
0-1	KX41-2VC	0-1 Tonne	0
0-1	KX41-3V	0-1 Tonne	0
0-1	U10	0-1 Tonne	0

Manufacturer Name KUBOTA

Tonnage Group	Specification Name	Description \Notes	Pin Centre
0-1	U15	0-1 Tonne	0

# Hand Engineering



Please note if your excavator is not found in list below, or differs from list, please measure Pin Diameter, Dipper Width, Pin Centre and Pin Length and submit with order. Only models below 14 tonne are listed for the purpose of this booklet.

**Any information found in this booklet is the sole property of Hand Engineering Ltd., any reproduction of any kind is prohibited without the written consent of Hand Engineering Ltd. Tel: 00 353 44 9666504**

0-1	U15-3	0-1 Tonne	0
2-3	KH66	2-3 tonne	0
2-3	KX024	2-3 tonne	230
2-3	KX030	2-3 tonne	0
2-3	KX20	2-3 tonne	0
2-3	KX20-3	2-3 tonne	0
2-3	KX41	2-3 tonne	0
2-3	KX41/3	2-3 tonne	0
2-3	KX61	2-3 tonne	0
2-3	KX61-2	2-3 tonne	0
2-3	KX61-3	2-3 tonne	0
2-3	KX71	2-3 tonne	132
2-3	KX71-2	2-3 tonne	0
2-3	KX71-3	2-3 tonne	0



Please note if your excavator is not found in list below, or differs from list, please measure Pin Diameter, Dipper Width, Pin Centre and Pin Length and submit with order. Only models below 14 tonne are listed for the purpose of this booklet.

**Any information found in this booklet is the sole property of Hand Engineering Ltd., any reproduction of any kind is prohibited without the written consent of Hand Engineering Ltd. Tel: 00 353 44 9666504**

Manufacturer Name KUBOTA

Tonnage Group	Specification Name	Description \Notes	Pin Centre
3-4	KX101-3	3-4 tonne	0
3-4	kx121	3-4 tonne	170
3-4	KX121-3	3-4 tonne	0
3-4	KX91	3-4 tonne	0
3-4	KX91-3	3-4 tonne	0
4-5	K216	4-5 tonne	246
4-5	KX101	4-5 tonne	195
4-5	KX161	4-5 tonne	230
4-5	kx161-2	4-5 tonne	0
4-5	kx161-3	4-5 tonne	0
5-6	KX191	5-6 tonne	0





Please note if your excavator is not found in list below, or differs from list, please measure Pin Diameter, Dipper Width, Pin Centre and Pin Length and submit with order. Only models below 14 tonne are listed for the purpose of this booklet.

**Any information found in this booklet is the sole property of Hand Engineering Ltd., any reproduction of any kind is prohibited without the written consent of Hand Engineering Ltd. Tel: 00 353 44 9666504**

7-9	KX080	7-9 tonne	0
7-9	KX80	7-9 tonne	0

Manufacturer Name LINKBELT

Tonnage Group	Specification Name	Description\Notes	Pin Centre
10-11	LS3400C3	10-11 tonne	490
10-11	LS3400Q	10-11 tonne	460
11-13	LS2650Q	11-13 tonne	385
13-15	LX130	13-15 tonne	385
13-15	LX135	13-15 tonne	385
6-7	LS1600Q	6-7 tonne	300
7-9	LS2650	7-9 tonne	385
7-9	LS2650C2	7-9 tonne	385

# Hand Engineering



Please note if your excavator is not found in list below, or differs from list, please measure Pin Diameter, Dipper Width, Pin Centre and Pin Length and submit with order. Only models below 14 tonne are listed for the purpose of this booklet.

**Any information found in this booklet is the sole property of Hand Engineering Ltd., any reproduction of any kind is prohibited without the written consent of Hand Engineering Ltd. Tel: 00 353 44 9666504**

7-9	LX80	7-9 tonne	300
-----	------	-----------	-----

Manufacturer Name MASSEY FERGUSON

Tonnage Group	Specification Name	Description\Notes	Pin Centre
0-1	114	0-1 Tonne	0
0-1	115	0-1 Tonne	0
0-1	SK015	0-1 Tonne	0

Manufacturer Name MASSEY FERGUSON

Tonnage Group	Specification Name	Description\Notes	Pin Centre
6-7	MF50BH	6-7 tonne	290
6-7	MF860	6-7 tonne	290

Manufacturer Name NEUSON

Tonnage Group	Specification Name	Description\Notes	Pin Centre
---------------	--------------------	-------------------	------------

# Hand Engineering



Please note if your excavator is not found in list below, or differs from list, please measure Pin Diameter, Dipper Width, Pin Centre and Pin Length and submit with order. Only models below 14 tonne are listed for the purpose of this booklet.

**Any information found in this booklet is the sole property of Hand Engineering Ltd., any reproduction of any kind is prohibited without the written consent of Hand Engineering Ltd. Tel: 00 353 44 9666504**

0-1	1403	0-1 Tonne	0
0-1	1503	0-1 Tonne	0
0-1	1903	0-1 Tonne	0
0-1	2203	0-1 Tonne	0
0-1	2503	0-1 Tonne	0
3-4	3003	3-4 tonne	0
3-4	3503	3-4 tonne	0
3-4	3703	3-4 tonne	0
6-7	NEU205	6-7 tonne	430

Manufacturer Name NEWHOLLAND

Tonnage Group	Specification Name	Description\Notes	Pin Centre
0-1	E09	0-1 Tonne	100

# Hand Engineering



Please note if your excavator is not found in list below, or differs from list, please measure Pin Diameter, Dipper Width, Pin Centre and Pin Length and submit with order. Only models below 14 tonne are listed for the purpose of this booklet.

**Any information found in this booklet is the sole property of Hand Engineering Ltd., any reproduction of any kind is prohibited without the written consent of Hand Engineering Ltd. Tel: 00 353 44 9666504**

1-2	E16	1-2 tonne	121
1-2	E18	1-2 tonne	121
1-2	E18	1-2 tonne	121
1-2	EC15	1-2 tonne	125
2-3	E20SR	2-3 tonne	180
2-3	E22-2SR	2-3 tonne	0
2-3	E25	2-3 tonne	180
2-3	E27	2-3 tonne	180
2-3	E27-2SR	2-3 tonne	0
2-3	EC25	2-3 tonne	165
2-3	EH27B	2-3 tonne	180
3-4	E30SR	3-4 tonne	192
3-4	E35	3-4 tonne	192
3-4	EC35	3-4 tonne	200



Please note if your excavator is not found in list below, or differs from list, please measure Pin Diameter, Dipper Width, Pin Centre and Pin Length and submit with order. Only models below 14 tonne are listed for the purpose of this booklet.

**Any information found in this booklet is the sole property of Hand Engineering Ltd., any reproduction of any kind is prohibited without the written consent of Hand Engineering Ltd. Tel: 00 353 44 9666504**

Manufacturer Name NEWHOLLAND

Tonnage Group	Specification Name	Description\Notes	Pin Centre
3-4	EH30B	3-4 tonne	200
3-4	EH35	3-4 tonne	213
3-4	EH35B	3-4 tonne	200
4-5	E40SR	4-5 tonne	228.5
4-5	EC45	4-5 tonne	250
4-5	EH40	4-5 tonne	229
4-5	EH45	4-5 tonne	229
5-6	E50	5-6 tonne	228
5-6	EH50	5-6 tonne	229
5-6	EH50B	5-6 tonne	229
7-9	E70	7-9 tonne	0
7-9	E80	7-9 tonne	301

# Hand Engineering



Please note if your excavator is not found in list below, or differs from list, please measure Pin Diameter, Dipper Width, Pin Centre and Pin Length and submit with order. Only models below 14 tonne are listed for the purpose of this booklet.

**Any information found in this booklet is the sole property of Hand Engineering Ltd., any reproduction of any kind is prohibited without the written consent of Hand Engineering Ltd. Tel: 00 353 44 9666504**

7-9	E80MSR	7-9 tonne	301
7-9	LB110	7-9 tonne	390
7-9	NH85	7-9 tonne	292

## Manufacturer Name NEWHOLLAND

Tonnage Group	Specification Name	Description\Notes	Pin Centre
7-9	NH95	7-9 tonne	387

## Manufacturer Name NISSAN

Tonnage Group	Specification Name	Description\Notes	Pin Centre
2-3	N300	2-3 tonne	0

## Manufacturer Name PELJOB

Tonnage Group	Specification Name	Description\Notes	Pin Centre
0-1	EB10	0-1 Tonne	0

# Hand Engineering



Please note if your excavator is not found in list below, or differs from list, please measure Pin Diameter, Dipper Width, Pin Centre and Pin Length and submit with order. Only models below 14 tonne are listed for the purpose of this booklet.

**Any information found in this booklet is the sole property of Hand Engineering Ltd., any reproduction of any kind is prohibited without the written consent of Hand Engineering Ltd. Tel: 00 353 44 9666504**

0-1	EB12	0-1 Tonne	0
0-1	EB12.4	0-1 Tonne	0
0-1	EB14	0-1 Tonne	0
0-1	EB14.4	0-1 Tonne	0
0-1	EB150	0-1 Tonne	0
0-1	EB150XR	0-1 Tonne	0
0-1	EB150XT	0-1 Tonne	0

Manufacturer Name PELJOB

Tonnage Group	Specification Name	Description \Notes	Pin Centre
0-1	EB16	0-1 Tonne	0
0-1	SERIUS	0-1 Tonne	0
0-1	SERIUS	0-1 Tonne	0
1-2	EB16	1-2 tonne	0

# Hand Engineering



Please note if your excavator is not found in list below, or differs from list, please measure Pin Diameter, Dipper Width, Pin Centre and Pin Length and submit with order. Only models below 14 tonne are listed for the purpose of this booklet.

**Any information found in this booklet is the sole property of Hand Engineering Ltd., any reproduction of any kind is prohibited without the written consent of Hand Engineering Ltd. Tel: 00 353 44 9666504**

1-2	EB16.4	1-2 tonne	0
2-3	EB200	2-3 tonne	0
2-3	EB22	2-3 tonne	0
2-3	EB22.4	2-3 tonne	0
2-3	EB250	2-3 tonne	0
2-3	EB28.4	2-3 tonne	0
2-3	EB30.4	2-3 tonne	0
2-3	EB300	2-3 tonne	0

Manufacturer Name PELJOB

Tonnage Group	Specification Name	Description \Notes	Pin Centre
3-4	EB350	3-4 tonne	0
3-4	EB36	3-4 tonne	0



# Hand Engineering



Please note if your excavator is not found in list below, or differs from list, please measure Pin Diameter, Dipper Width, Pin Centre and Pin Length and submit with order. Only models below 14 tonne are listed for the purpose of this booklet.

**Any information found in this booklet is the sole property of Hand Engineering Ltd., any reproduction of any kind is prohibited without the written consent of Hand Engineering Ltd. Tel: 00 353 44 9666504**

3-4	EB406	3-4 tonne	0
3-4	EC450XT	3-4 tonne	0
3-4	LS386	3-4 tonne	0

Manufacturer Name SAMSUNG

Tonnage Group	Specification Name	Description\Notes	Pin Centre
13-15	SE130-3	13-15 tonne	380
5-6	SE50-3	5-6 tonne	285

Manufacturer Name SMC

Tonnage Group	Specification Name	Description\Notes	Pin Centre
0-1	MC15	0-1 Tonne	0
0-1	MC16XT	0-1 Tonne	0

Manufacturer Name SMC



Please note if your excavator is not found in list below, or differs from list, please measure Pin Diameter, Dipper Width, Pin Centre and Pin Length and submit with order. Only models below 14 tonne are listed for the purpose of this booklet.

**Any information found in this booklet is the sole property of Hand Engineering Ltd., any reproduction of any kind is prohibited without the written consent of Hand Engineering Ltd. Tel: 00 353 44 9666504**

Tonnage Group	Specification Name	Description\Notes	Pin Centre
5-6	MX50	5-6 tonne	0

Manufacturer Name SOLAR

Manufacturer Name SOLAR

Tonnage Group	Specification Name	Description\Notes	Pin Centre
1-2	SV17	1-2 tonne	110
3-4	SO30	3-4 tonne	0
4-5	S55	4-5 tonne	257
5-6	S055	5-6 tonne	260
5-6	SO55	5-6 tonne	257
7-9	S075	7-9 tonne	0
7-9	S75V	7-9 tonne	282

# Hand Engineering



Please note if your excavator is not found in list below, or differs from list, please measure Pin Diameter, Dipper Width, Pin Centre and Pin Length and submit with order. Only models below 14 tonne are listed for the purpose of this booklet.

**Any information found in this booklet is the sole property of Hand Engineering Ltd., any reproduction of any kind is prohibited without the written consent of Hand Engineering Ltd. Tel: 00 353 44 9666504**

7-9	SH75	7-9 tonne	282
7-9	SO75	7-9 tonne	282

## Manufacturer Name SPINACE

Tonnage Group	Specification Name	Description\Notes	Pin Centre
7-9	75	7-9 tonne	300

## Manufacturer Name SUMITOMA

Tonnage Group	Specification Name	Description\Notes	Pin Centre
6-7	SH60	6-7 tonne	300
7-9	SH75XU-3	7-9 tonne	300
7-9	Sumo	7-9 tonne	200

## Manufacturer Name TAKEUCHI

Tonnage Group	Specification Name	Description\Notes	Pin Centre
---------------	--------------------	-------------------	------------

# Hand Engineering



Please note if your excavator is not found in list below, or differs from list, please measure Pin Diameter, Dipper Width, Pin Centre and Pin Length and submit with order. Only models below 14 tonne are listed for the purpose of this booklet.

**Any information found in this booklet is the sole property of Hand Engineering Ltd., any reproduction of any kind is prohibited without the written consent of Hand Engineering Ltd. Tel: 00 353 44 9666504**

0-1	TB014	0-1 Tonne	0
0-1	TB15FR	0-1 Tonne	0
1-2	TB015	1-2 tonne	120
1-2	TB016	1-2 tonne	130
2-3	TB025	2-3 tonne	0

Manufacturer Name TAKEUCHI

Tonnage Group	Specification Name	Description\Notes	Pin Centre
2-3	TB25FR	2-3 tonne	0
3-4	TB035	3-4 tonne	0
3-4	TB125	3-4 tonne	180
3-4	TB135	3-4 tonne	0
3-4	TB3	3-4 tonne	170
4-5	TB145	4-5 tonne	0
5-6	TB153	5-6 tonne	0

# Hand Engineering



Please note if your excavator is not found in list below, or differs from list, please measure Pin Diameter, Dipper Width, Pin Centre and Pin Length and submit with order. Only models below 14 tonne are listed for the purpose of this booklet.

**Any information found in this booklet is the sole property of Hand Engineering Ltd., any reproduction of any kind is prohibited without the written consent of Hand Engineering Ltd. Tel: 00 353 44 9666504**

6-7	TB175	6-7 tonne	292
6-7	TB180	6-7 tonne	292

Manufacturer Name TEREX

Tonnage Group	Specification Name	Description\Notes	Pin Centre
1-2	HR14	1-2 tonne	0
2-3	TC27	2-3 tonne	0
3-4	HR18	3-4 tonne	0

Manufacturer Name TEREX

Tonnage Group	Specification Name	Description\Notes	Pin Centre
4-5	TC44	4-5 tonne	0
6-7	HR32	6-7 tonne	0
7-9	TC125	7-9 tonne	290

# Hand Engineering



Please note if your excavator is not found in list below, or differs from list, please measure Pin Diameter, Dipper Width, Pin Centre and Pin Length and submit with order. Only models below 14 tonne are listed for the purpose of this booklet.

**Any information found in this booklet is the sole property of Hand Engineering Ltd., any reproduction of any kind is prohibited without the written consent of Hand Engineering Ltd. Tel: 00 353 44 9666504**

7-9	TW110	7-9 tonne	290
7-9	TW85	7-9 tonne	290

**Manufacturer Name VENIERI**

Tonnage Group	Specification Name	Description\Notes	Pin Centre
5-6	823C	5-6 tonne	279
6-7	10.23	6-7 tonne	270

**Manufacturer Name VOLVO**

Tonnage Group	Specification Name	Description\Notes	Pin Centre
0-1	EC14	0-1 Tonne	0
1-2	EC13	1-2 tonne	106

**Manufacturer Name VOLVO**

Tonnage Group	Specification Name	Description\Notes	Pin Centre
---------------	--------------------	-------------------	------------

# Hand Engineering



Please note if your excavator is not found in list below, or differs from list, please measure Pin Diameter, Dipper Width, Pin Centre and Pin Length and submit with order. Only models below 14 tonne are listed for the purpose of this booklet.

**Any information found in this booklet is the sole property of Hand Engineering Ltd., any reproduction of any kind is prohibited without the written consent of Hand Engineering Ltd. Tel: 00 353 44 9666504**

1-2	EC15B	1-2 tonne	106
1-2	EC160B	1-2 tonne	440
13-15	EC130-3	13-15 tonne	380
13-15	EC140	13-15 tonne	380
13-15	EW130	13-15 tonne	380
2-3	EC20	2-3 tonne	150
2-3	EC25B	2-3 tonne	165
3-4	EC30	3-4 tonne	165
3-4	ECR35	3-4 tonne	190
3-4	ECR38	3-4 tonne	190
4-5	EC45	4-5 tonne	250
4-5	EC45 PRO	4-5 tonne	220
5-6	EB506	5-6 tonne	0
5-6	EC50	5-6 tonne	285

# Hand Engineering



Please note if your excavator is not found in list below, or differs from list, please measure Pin Diameter, Dipper Width, Pin Centre and Pin Length and submit with order. Only models below 14 tonne are listed for the purpose of this booklet.

**Any information found in this booklet is the sole property of Hand Engineering Ltd., any reproduction of any kind is prohibited without the written consent of Hand Engineering Ltd. Tel: 00 353 44 9666504**

5-6	EC55	5-6 tonne	0
-----	------	-----------	---

**Manufacturer Name VOLVO**

Tonnage Group	Specification Name	Description\Notes	Pin Centre
5-6	EC55	5-6 tonne	285
5-6	EC55B	5-6 tonne	220
5-6	ECR58	5-6 tonne	220
5-6	ew50	5-6 tonne	0
6-7	BL71	6-7 tonne	305
7-9	ECR88	7-9 tonne	290
7-9	ECR88	7-9 tonne	290

**Manufacturer Name YANMAR**

Tonnage Group	Specification Name	Description\Notes	Pin Centre
---------------	--------------------	-------------------	------------



# Hand Engineering



Please note if your excavator is not found in list below, or differs from list, please measure Pin Diameter, Dipper Width, Pin Centre and Pin Length and submit with order. Only models below 14 tonne are listed for the purpose of this booklet.

**Any information found in this booklet is the sole property of Hand Engineering Ltd., any reproduction of any kind is prohibited without the written consent of Hand Engineering Ltd. Tel: 00 353 44 9666504**

0-1	B12	0-1 Tonne	0
0-1	B14	0-1 Tonne	0
0-1	B15-3	0-1 Tonne	0
0-1	SV15	0-1 Tonne	0
0-1	V1015	0-1 Tonne	0

**Manufacturer Name YANMAR**

Tonnage Group	Specification Name	Description\Notes	Pin Centre
0-1	V1015-2	0-1 Tonne	0
0-1	YB008	0-1 Tonne	85
0-1	YB121	0-1 Tonne	0
1-2	YB15	1-2 tonne	0
1-2	YB17	1-2 tonne	105
2-3	B22	2-3 tonne	0
2-3	B25V	2-3 tonne	0

# Hand Engineering



Please note if your excavator is not found in list below, or differs from list, please measure Pin Diameter, Dipper Width, Pin Centre and Pin Length and submit with order. Only models below 14 tonne are listed for the purpose of this booklet.

**Any information found in this booklet is the sole property of Hand Engineering Ltd., any reproduction of any kind is prohibited without the written consent of Hand Engineering Ltd. Tel: 00 353 44 9666504**

2-3	B27	2-3 tonne	0
2-3	V256	2-3 tonne	220
2-3	VI030	2-3 tonne	0
2-3	YB22	2-3 tonne	210
2-3	YB251	2-3 tonne	0
2-3	YB27	2-3 tonne	210

Manufacturer Name	YANMAR		
Tonnage Group	Specification Name	Description\Notes	Pin Centre
3-4	B37	3-4 tonne	0
3-4	YB351	3-4 tonne	0
3-4	YB37	3-4 tonne	220
4-5	YB55	4-5 tonne	305

# Hand Engineering



Please note if your excavator is not found in list below, or differs from list, please measure Pin Diameter, Dipper Width, Pin Centre and Pin Length and submit with order. Only models below 14 tonne are listed for the purpose of this booklet.

**Any information found in this booklet is the sole property of Hand Engineering Ltd., any reproduction of any kind is prohibited without the written consent of Hand Engineering Ltd. Tel: 00 353 44 9666504**

5-6	B50	5-6 tonne	0
5-6	YB50	5-6 tonne	270

Manufacturer Name YUCHAI

Tonnage Group	Specification Name	Description\Notes	Pin Centre
0-1	YC13	0-1 Tonne	0
0-1	YC15	0-1 Tonne	0
0-1	YC18-2	0-1 Tonne	0