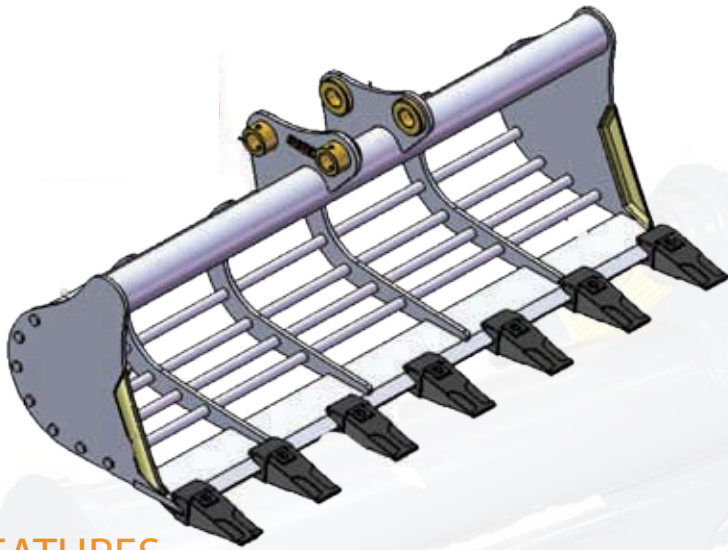


Hand Engineering's Riddle 'Shaker' Bucket



FEATURES

- > Superior weld in tooth system
- > Constructed of high grade material for strength and durability
- > Tilting option available for landscaping banks etc.
- > High quality phosphorous paint
- > Supplied with two pins
- > Available in Grading or Digging version

Hand Engineering Ltd.,
Drumone, Oldcastle,
Co. Meath, Ireland
Tel: 00 353 (0)44 9666504
email: handeng@eircom.net
<http://www.handengineering.com>

HIGH QUALITY. DURABLE.

The Riddle Bucket is used for sorting material. It separates stones or debris from loose material.

Useful in cleaning, quarrying or landscaping.

Has proven to be invaluable to landscapers with its practical design.

SPECIFICATIONS

Available for any make or model of micro and mini excavator up to 7 tonnes operating weight for Grading version and 9.5 tonnes Digging version.

HandEngineering
Manufacturing&Development