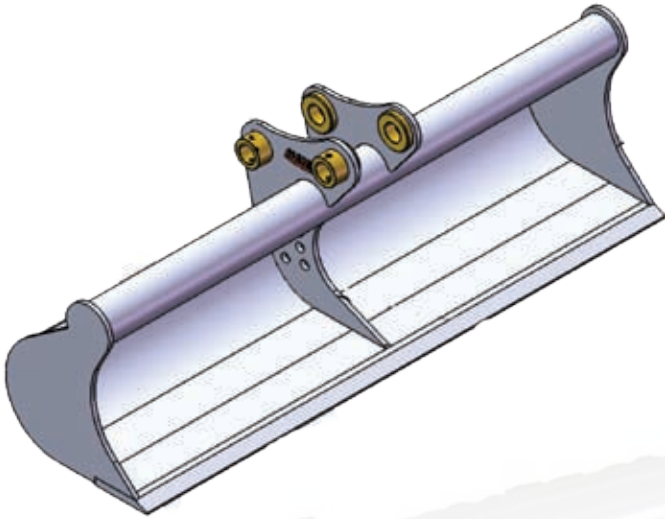


Hand Engineering's Grading Bucket for Excavators up to 13 tonne



**HIGH QUALITY. DURABLE.
LONG TERM PERFORMANCE.**

The Grader or Ditcher is designed for cleaning and making ditches, backfilling and grading, levelling and loading loose material.

You will come to expect High Quality when using a 'Hand' Grading Bucket.

FEATURES

- > Constructed of high grade wear resistant material.
- > High Grade Cutting Edge for strength and durability.
- > High Fill Capacity.
- > Low Profile Design for optimum performance.

SPECIFICATIONS

Available for any make or model of micro and mini excavator up to 13 tonnes operating weight.

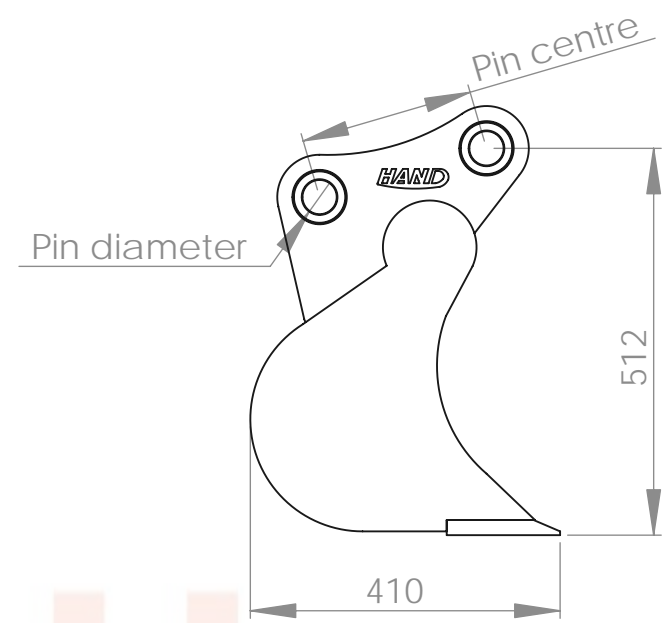
Hand Engineering Ltd.,
Drumone, Oldcastle,
Co. Meath, Ireland
Tel: 00 353 (0)44 9666504
email: handeng@eircom.net
<http://www.handengineering.com>

HandEngineering
Manufacturing&Development

8 7 6 5 4 3 2 1

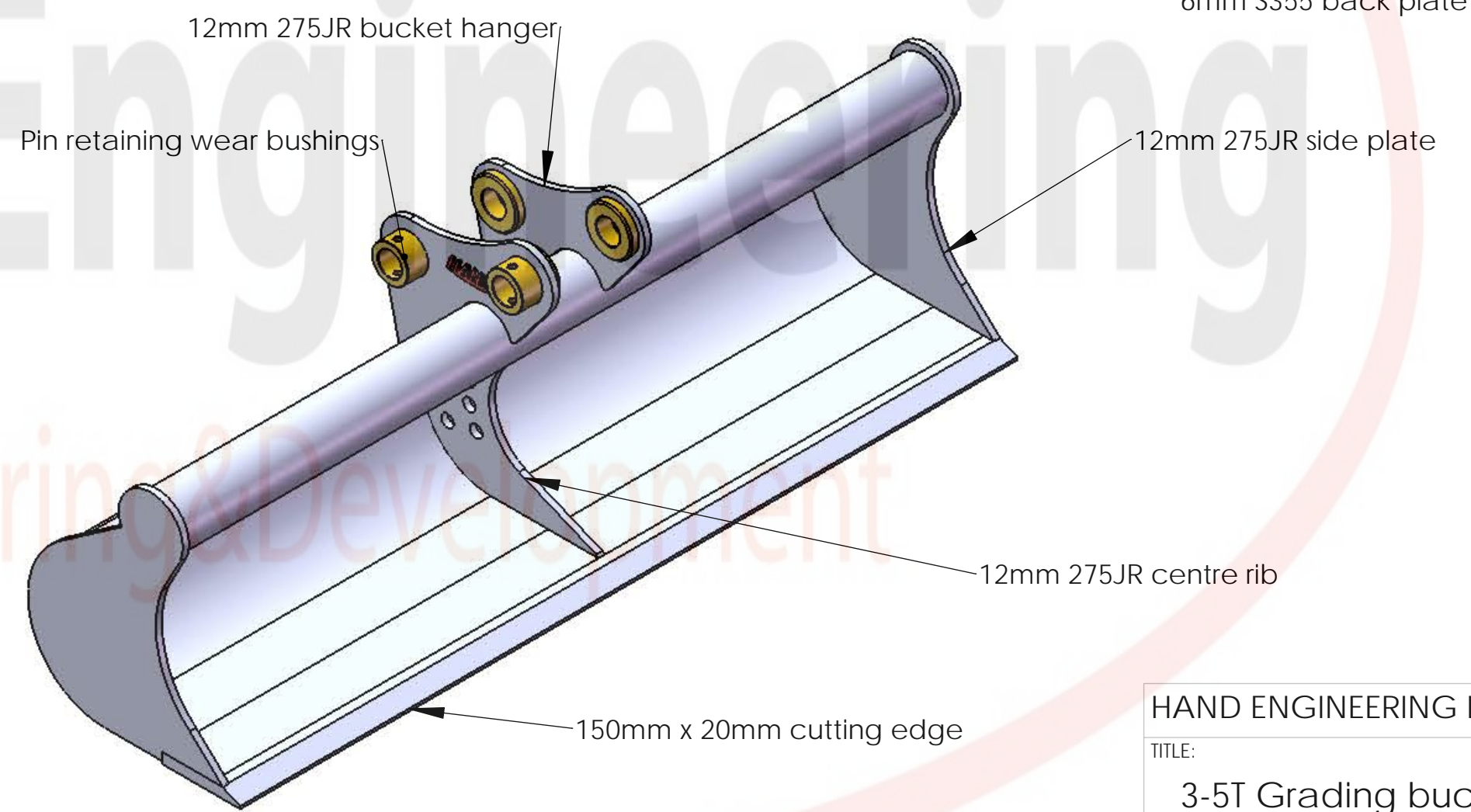
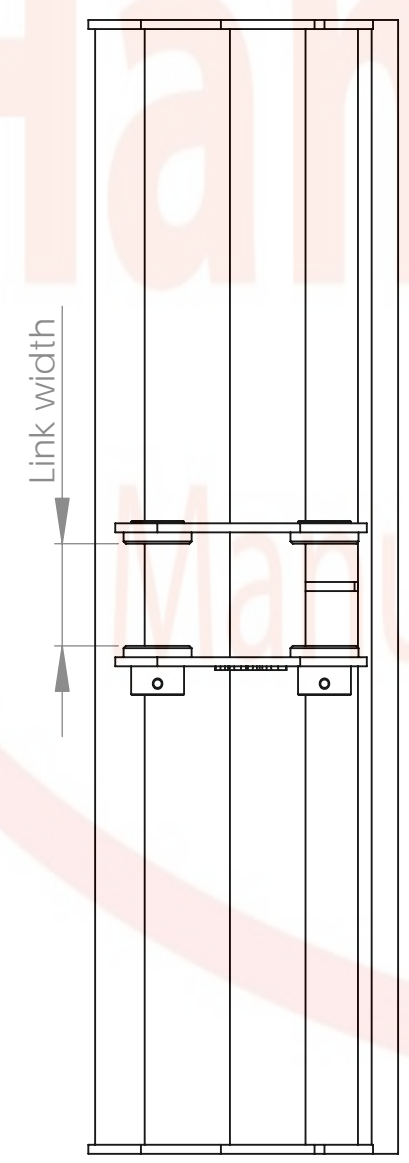
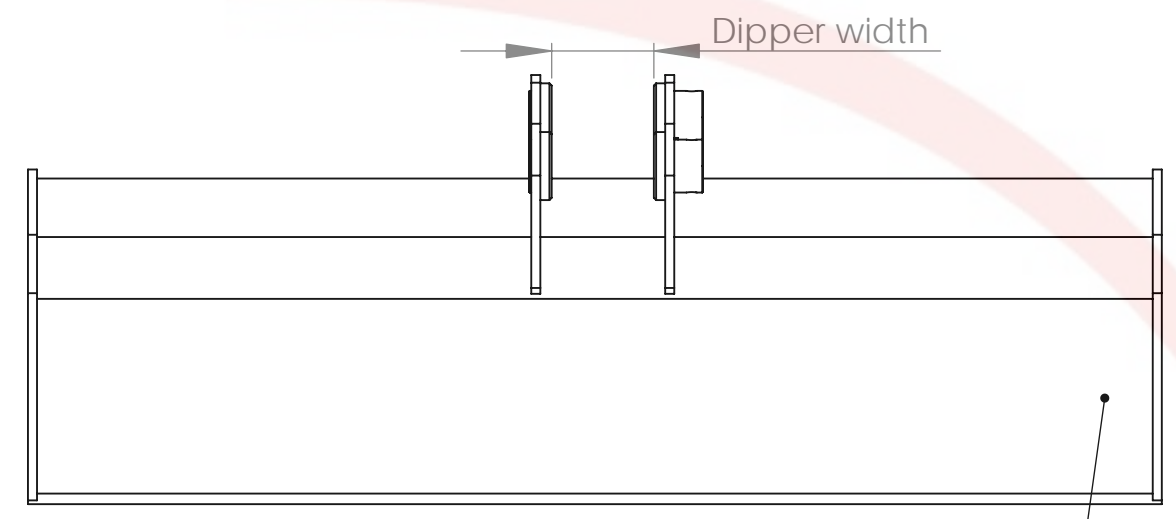
D
C
B
A

D
C
B
A



Other widths available in 3 to 5 tonne range:

Width Inches	mm
36 inches	900 mm
42 inches	1000 mm
48 inches	1200 mm

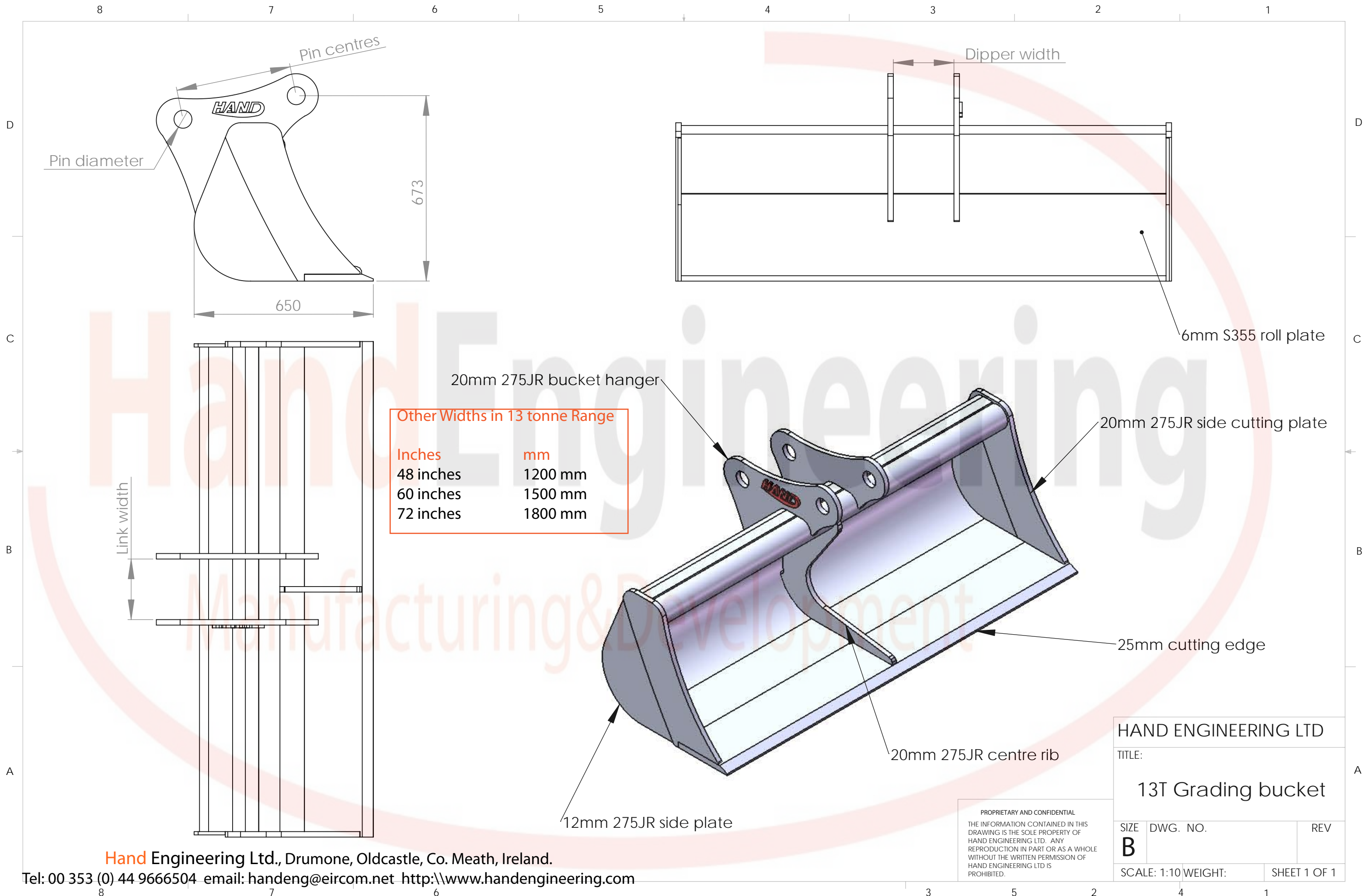


Hand Engineering Ltd., Drumone, Oldcastle, Co. Meath, Ireland
 Tel: 00 353 (0)44 9666504 email : handeng@eircom.net <http://www.handengineering.com>

PROPRIETARY AND CONFIDENTIAL
 THE INFORMATION CONTAINED IN THIS DRAWING IS THE SOLE PROPERTY OF HAND ENGINEERING LTD. ANY REPRODUCTION IN PART OR AS A WHOLE WITHOUT THE WRITTEN PERMISSION OF HAND ENGINEERING LTD IS PROHIBITED.

HAND ENGINEERING LTD		
TITLE: 3-5T Grading bucket		
SIZE B	DWG. NO.	REV
SCALE: 1:10 WEIGHT:		SHEET 1 OF 1

8 7 6 5 4 3 2 1

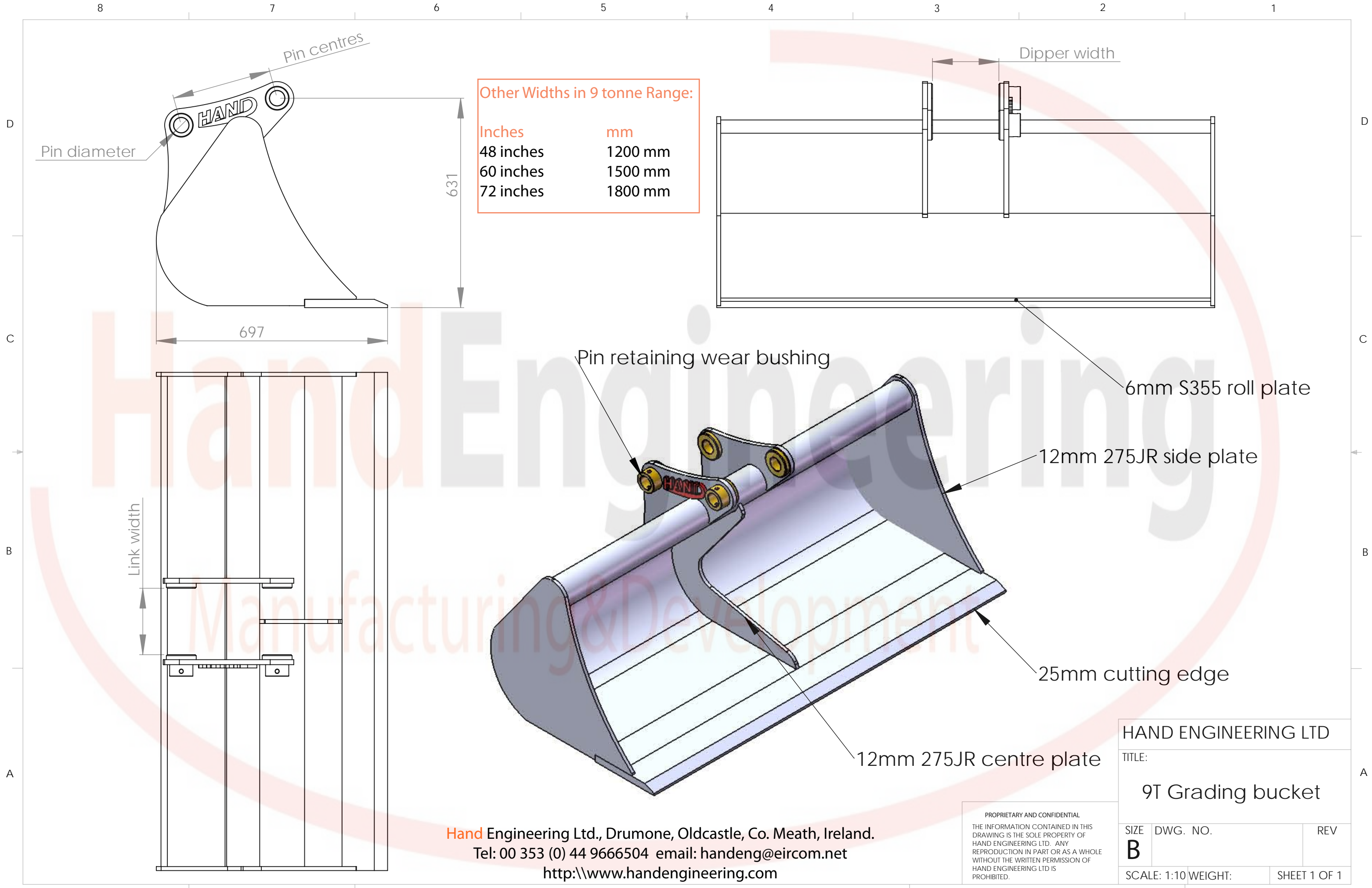


Other Widths in 13 tonne Range

Inches	mm
48 inches	1200 mm
60 inches	1500 mm
72 inches	1800 mm

HAND ENGINEERING LTD		
TITLE:		
13T Grading bucket		
SIZE	DWG. NO.	REV
B		
SCALE: 1:10		WEIGHT:
		SHEET 1 OF 1

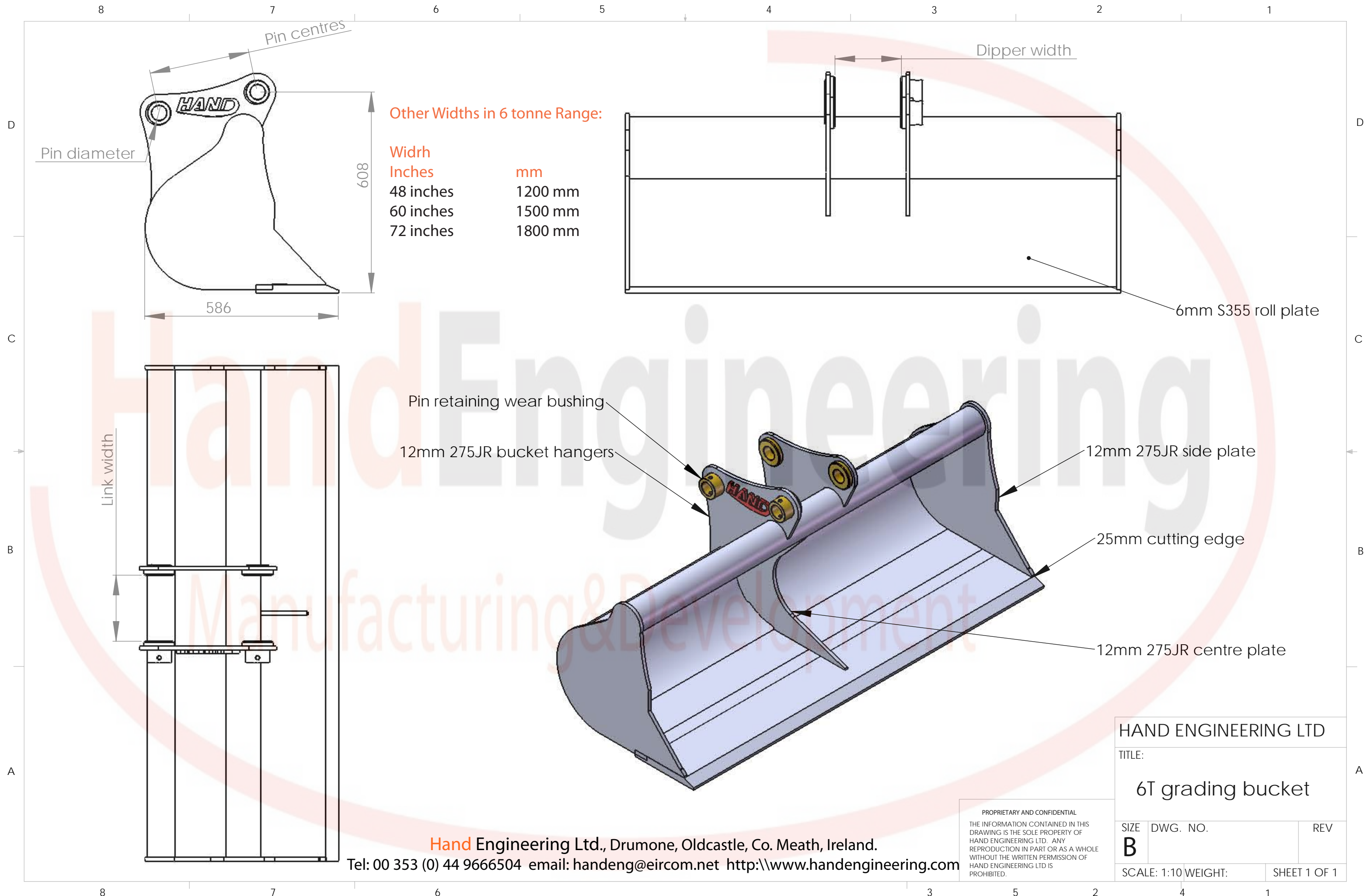
PROPRIETARY AND CONFIDENTIAL
 THE INFORMATION CONTAINED IN THIS
 DRAWING IS THE SOLE PROPERTY OF
 HAND ENGINEERING LTD. ANY
 REPRODUCTION IN PART OR AS A WHOLE
 WITHOUT THE WRITTEN PERMISSION OF
 HAND ENGINEERING LTD IS
 PROHIBITED.



Hand Engineering Ltd., Drumone, Oldcastle, Co. Meath, Ireland.
 Tel: 00 353 (0) 44 9666504 email: handeng@eircom.net
<http://www.handengineering.com>

PROPRIETARY AND CONFIDENTIAL
 THE INFORMATION CONTAINED IN THIS
 DRAWING IS THE SOLE PROPERTY OF
 HAND ENGINEERING LTD. ANY
 REPRODUCTION IN PART OR AS A WHOLE
 WITHOUT THE WRITTEN PERMISSION OF
 HAND ENGINEERING LTD IS
 PROHIBITED.

HAND ENGINEERING LTD		
TITLE:		
9T Grading bucket		
SIZE	DWG. NO.	REV
B		
SCALE: 1:10 WEIGHT:		SHEET 1 OF 1



Other Widths in 6 tonne Range:

Width	Inches	mm
48 inches		1200 mm
60 inches		1500 mm
72 inches		1800 mm

Pin retaining wear bushing

12mm 275JR bucket hangers

12mm 275JR side plate

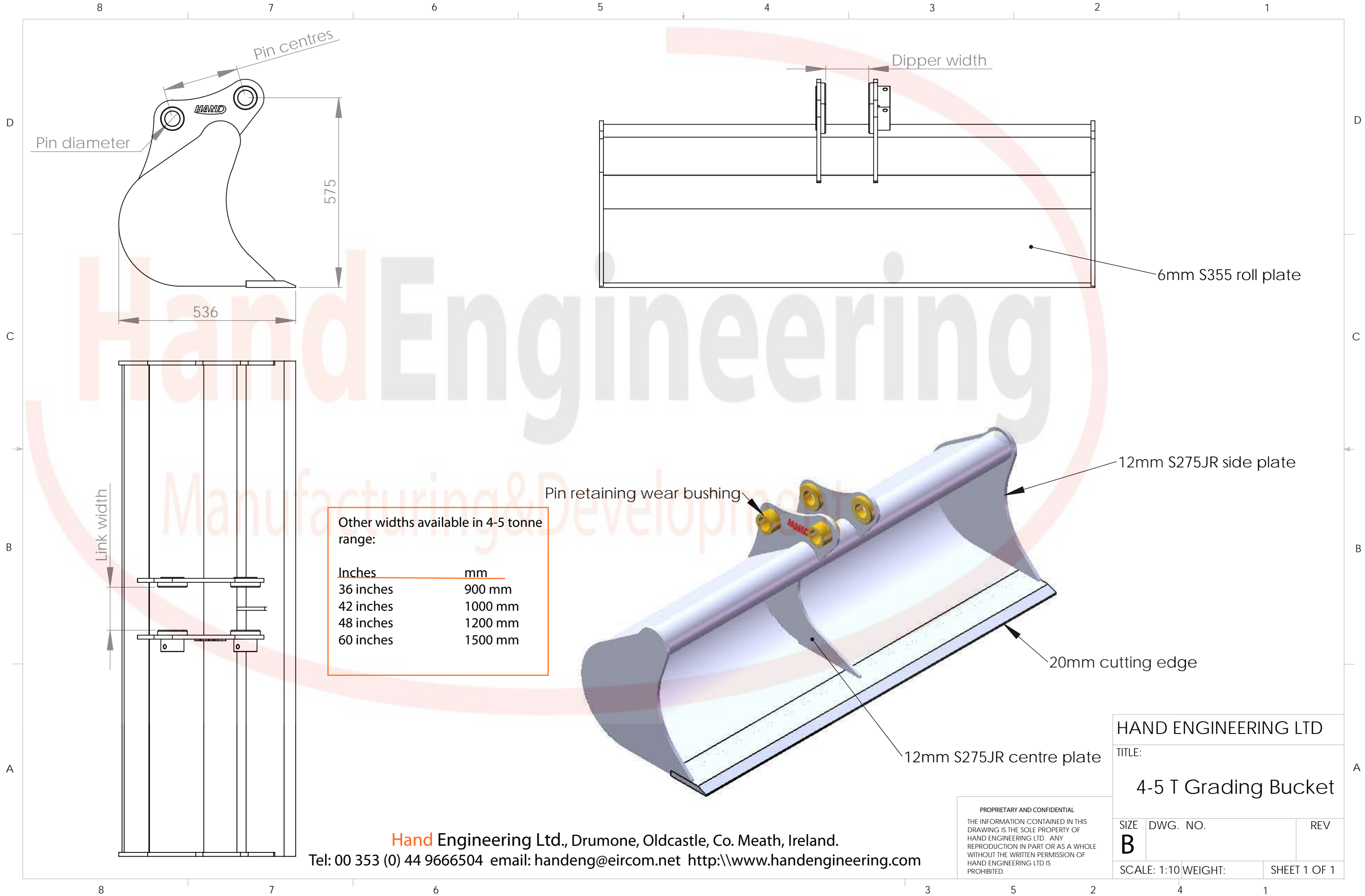
25mm cutting edge

12mm 275JR centre plate

Hand Engineering Ltd., Drumone, Oldcastle, Co. Meath, Ireland.
 Tel: 00 353 (0) 44 9666504 email: handeng@eircom.net http://www.handengineering.com

PROPRIETARY AND CONFIDENTIAL
 THE INFORMATION CONTAINED IN THIS
 DRAWING IS THE SOLE PROPERTY OF
 HAND ENGINEERING LTD. ANY
 REPRODUCTION IN PART OR AS A WHOLE
 WITHOUT THE WRITTEN PERMISSION OF
 HAND ENGINEERING LTD IS
 PROHIBITED.

HAND ENGINEERING LTD		
TITLE:		
6T grading bucket		
SIZE	DWG. NO.	REV
B		
SCALE: 1:10 WEIGHT:		SHEET 1 OF 1



Pin diameter

Pin centres

575

536

Dipper width

6mm S355 roll plate

Link width

Other widths available in 4-5 tonne range:

Inches	mm
36 inches	900 mm
42 inches	1000 mm
48 inches	1200 mm
60 inches	1500 mm

Pin retaining wear bushing

12mm S275JR side plate

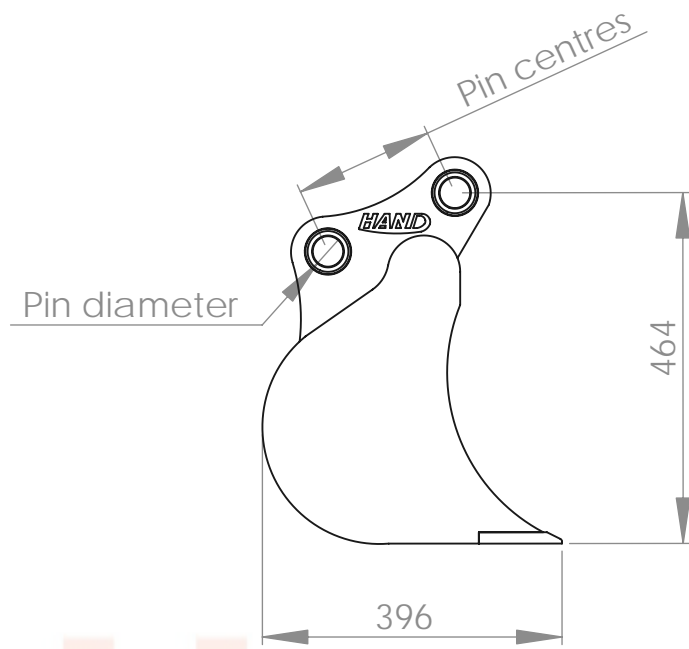
20mm cutting edge

12mm S275JR centre plate

Hand Engineering Ltd., Drumone, Oldcastle, Co. Meath, Ireland.
 Tel: 00 353 (0) 44 9666504 email: handeng@eircom.net http://www.handengineering.com

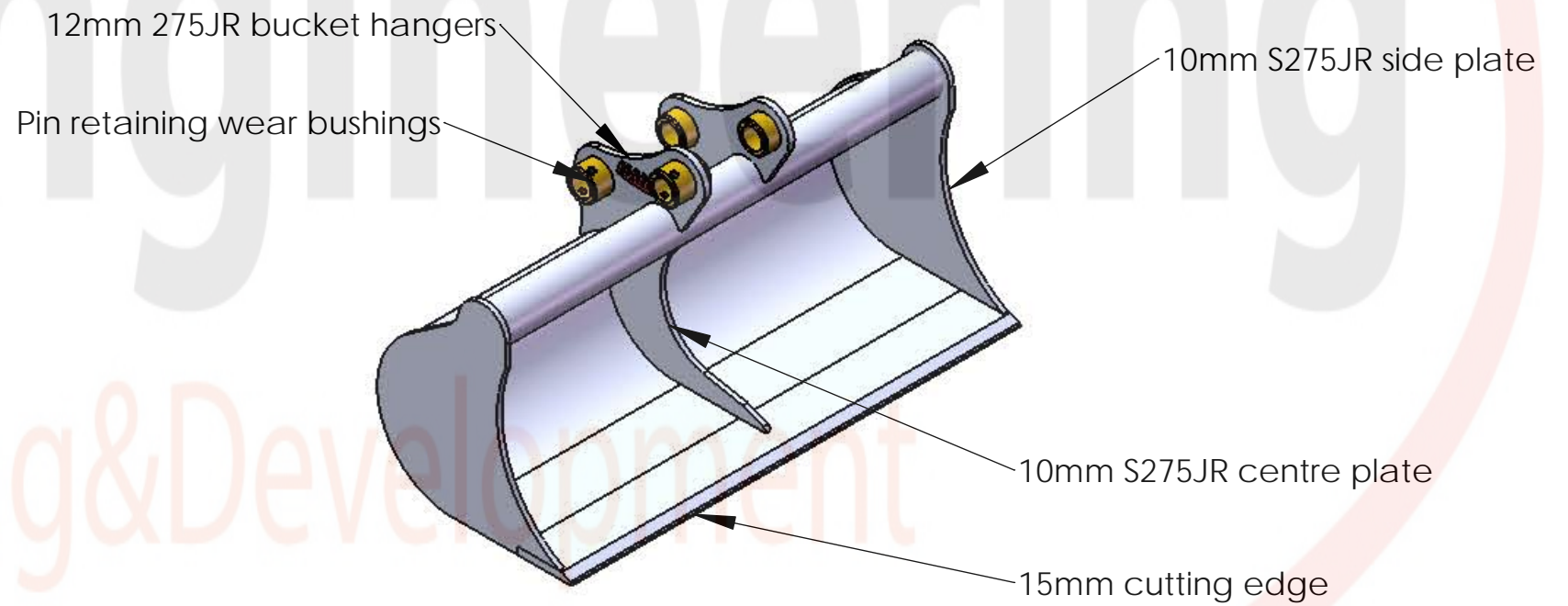
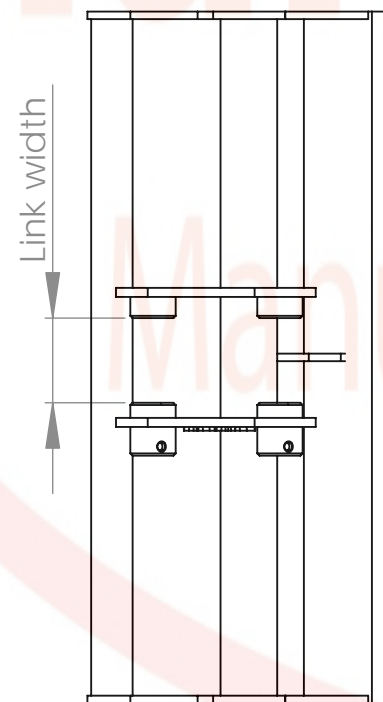
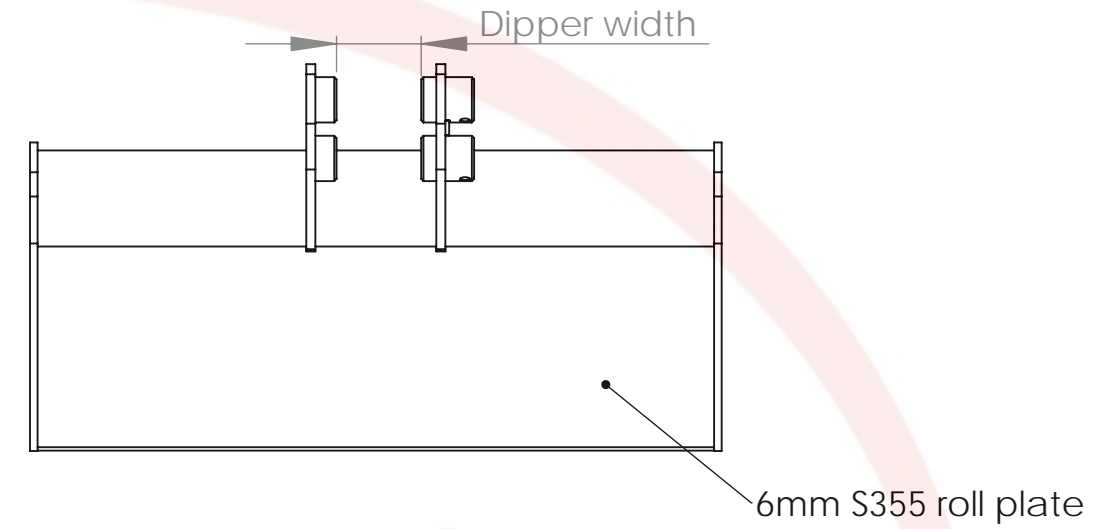
PROPRIETARY AND CONFIDENTIAL
 THE INFORMATION CONTAINED IN THIS DRAWING IS THE SOLE PROPERTY OF HAND ENGINEERING LTD. ANY REPRODUCTION IN PART OR AS A WHOLE WITHOUT THE WRITTEN PERMISSION OF HAND ENGINEERING LTD IS PROHIBITED.

HAND ENGINEERING LTD		
TITLE: 4-5 T Grading Bucket		
SIZE B	DWG. NO.	REV
SCALE: 1:10	WEIGHT:	SHEET 1 OF 1



Other Widths in 2-3 tonne range:

Width	Inches	mm
	36 inches	900 mm
	42 inches	1000 mm
	48 inches	1200 mm



HAND ENGINEERING LTD

TITLE:

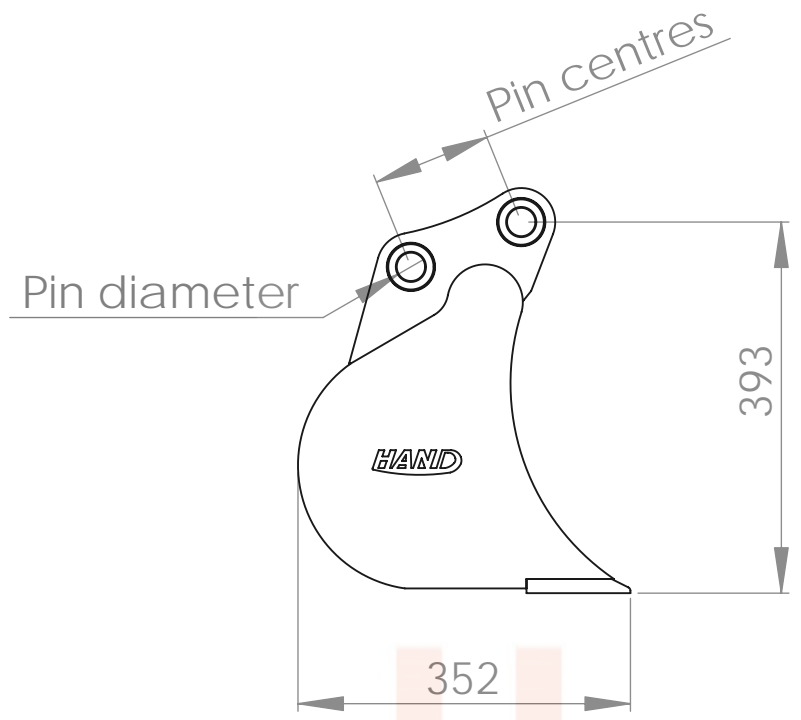
2-3T Grading bucket

SIZE DWG. NO. REV

B

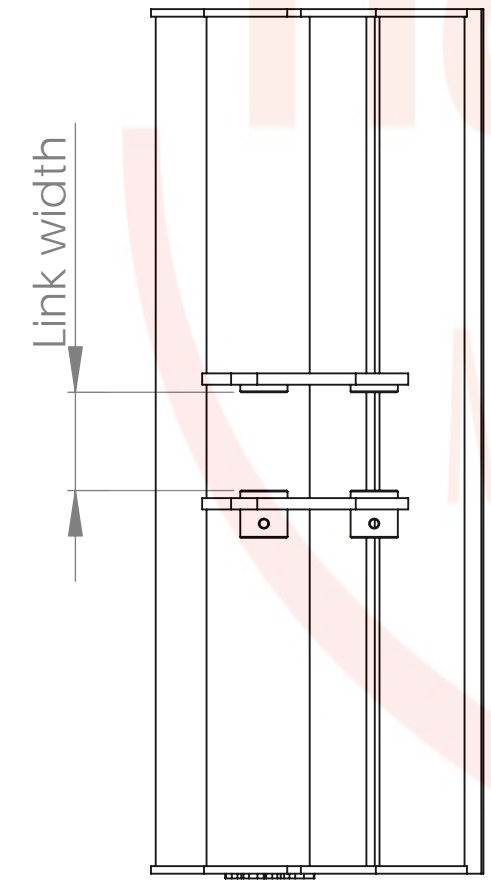
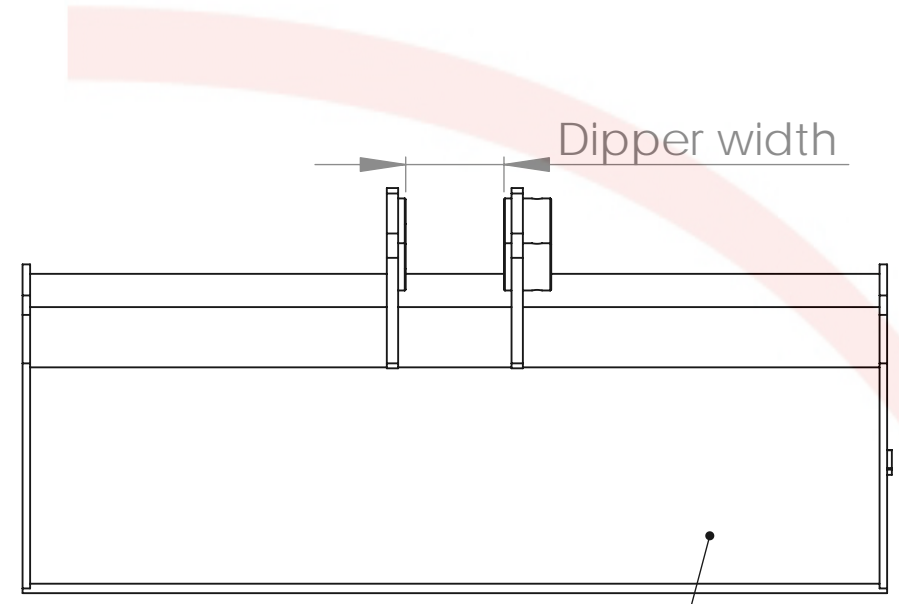
SCALE: 1:10 WEIGHT: SHEET 1 OF 1

PROPRIETARY AND CONFIDENTIAL
 THE INFORMATION CONTAINED IN THIS
 DRAWING IS THE SOLE PROPERTY OF
 HAND ENGINEERING LTD. ANY
 REPRODUCTION IN PART OR AS A WHOLE
 WITHOUT THE WRITTEN PERMISSION OF
 HAND ENGINEERING LTD IS
 PROHIBITED.

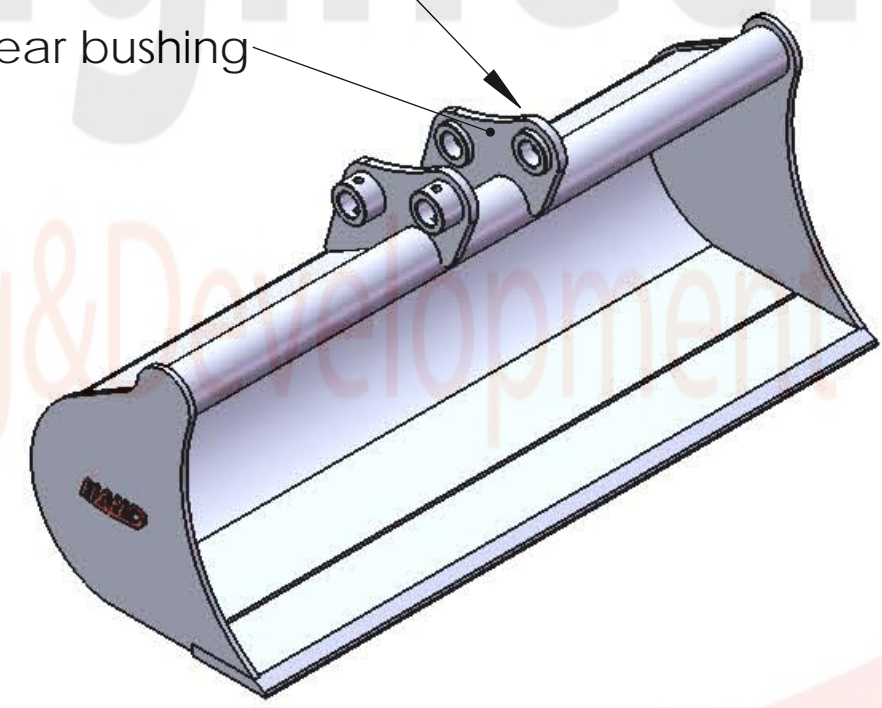


Others widths in 1-2 tonne Range:

Width Inches	mm
24 inches	600 mm
30 inches	750 mm
36 inches	900 mm

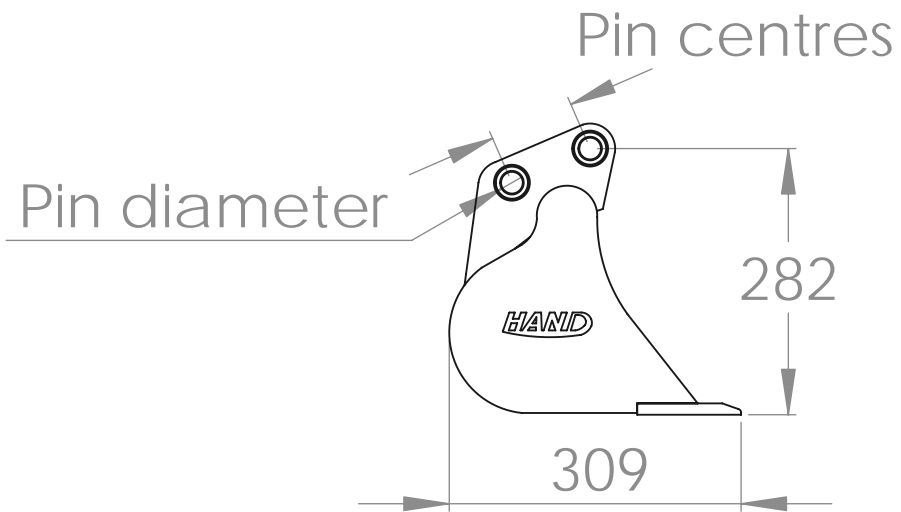


12mm 275JR bucket hangers
Pin retaining wear bushing



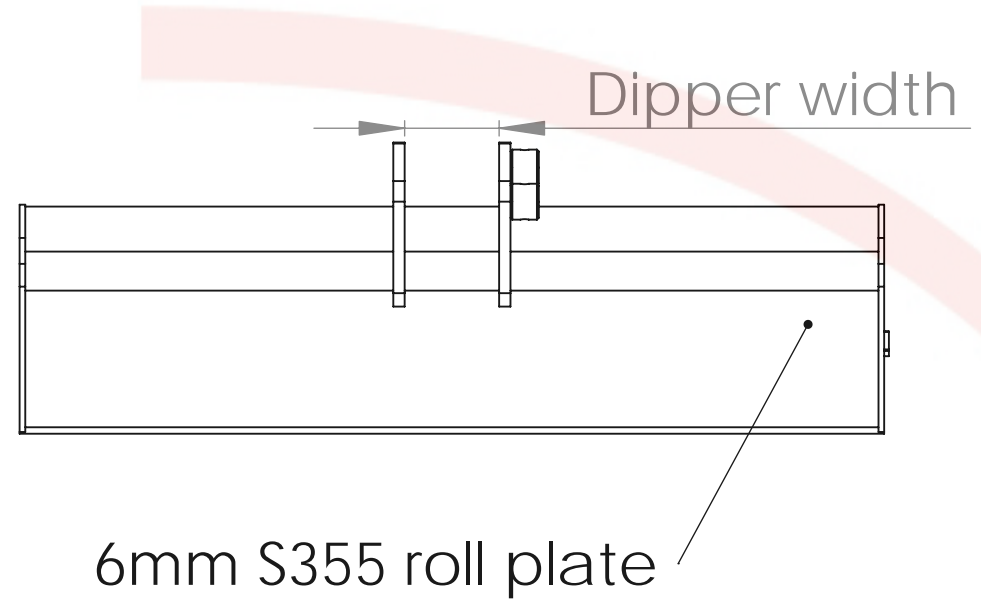
HAND ENGINEERING LTD		
TITLE: 1-2T Grading bucket		
SIZE B	DWG. NO.	REV
SCALE: 1:8	WEIGHT:	SHEET 1 OF 1

PROPRIETARY AND CONFIDENTIAL
THE INFORMATION CONTAINED IN THIS
DRAWING IS THE SOLE PROPERTY OF
HAND ENGINEERING LTD. ANY
REPRODUCTION IN PART OR AS A WHOLE
WITHOUT THE WRITTEN PERMISSION OF
HAND ENGINEERING LTD IS
PROHIBITED.

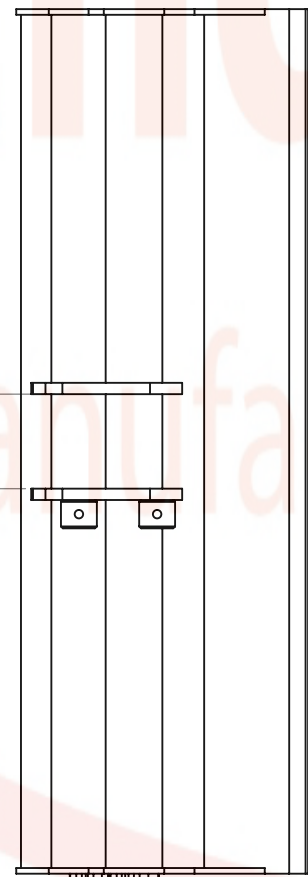


Widths in .8 tonne Range

Width inches	mm
24 inches	600mm
30 inches	750mm
36 inches	900mm

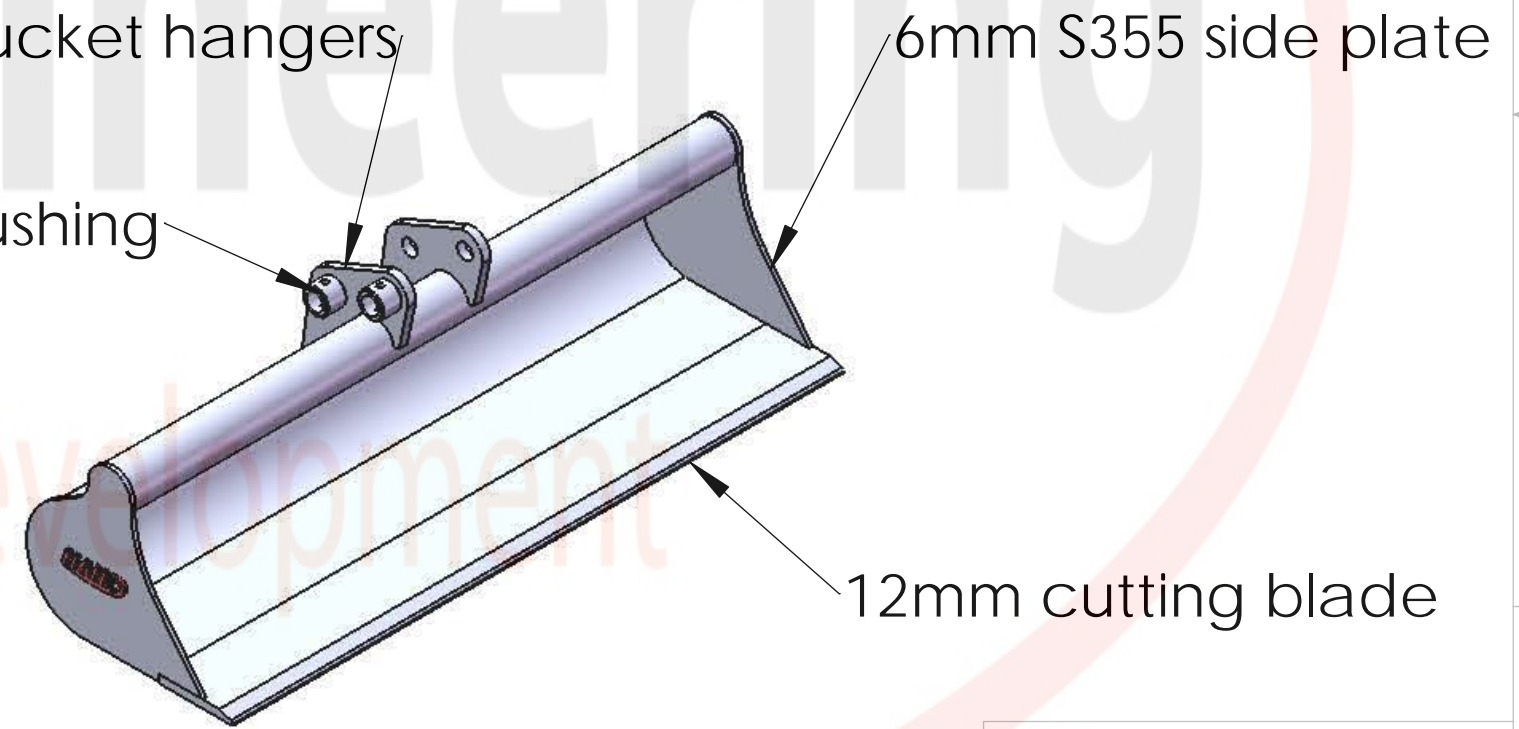


Link width



12mm 275JR bucket hangers

Pin retaining bushing



HAND ENGINEERING LTD		
TITLE:		
0.8T Grading bucket		
SIZE	DWG. NO.	REV
B		
SCALE: 1:8	WEIGHT:	SHEET 1 OF 1

PROPRIETARY AND CONFIDENTIAL
 THE INFORMATION CONTAINED IN THIS DRAWING IS THE SOLE PROPERTY OF HAND ENGINEERING LTD. ANY REPRODUCTION IN PART OR AS A WHOLE WITHOUT THE WRITTEN PERMISSION OF HAND ENGINEERING LTD IS PROHIBITED.