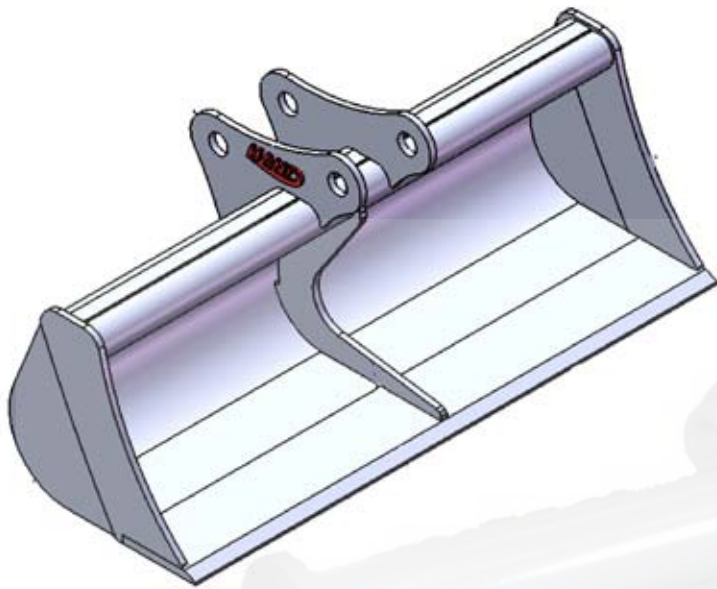


Hand Engineering's Grading Bucket for Excavators up to 13 tonne



**HIGH QUALITY. DURABLE.
LONG TERM PERFORMANCE.**

The Grader or Ditcher is designed for cleaning and making ditches, backfilling and grading, levelling and loading loose material.

You will come to expect High Quality when using a 'Hand' Grading Bucket.

FEATURES

- > Constructed of high grade wear resistant material.
- > High Grade Cutting Edge for strength and durability.
- > High Fill Capacity.
- > Low Profile Design for optimum performance.

SPECIFICATIONS

Available for any make or model of micro and mini excavator up to 13 tonnes operating weight.

Hand Engineering Ltd.,
Drumone, Oldcastle,
Co. Meath, Ireland
Tel: 00 353 (0)44 9666504
email: handeng@eircom.net
<http://www.handengineering.com>

HandEngineering
Manufacturing&Development